

# Air curtains: Rotowind and Invisair (M-ECM-G- ECG, SB-BB)



## INSTALLATION, OPERATION AND MAINTENANCE MANUAL



*Please, read these instructions carefully before attempting installation  
Deliver this manual to the final user.*

### SECURITY ADVISE SYMBOLS



*¡Attention, Danger, Safety Advice!*



*Danger from electric current or high voltage!*



*Injuries risk!*



*Danger! Do not stay underneath: Heavy load.*



*Important information.*



## INDEX

|                                  |    |
|----------------------------------|----|
| CAUTIONS .....                   | 4  |
| INSTALLATION .....               | 5  |
| TRANSPORTATION AND STORAGE ..... | 12 |
| OPERATING INSTRUCTIONS.....      | 12 |
| WIRING DIAGRAMS .....            | 23 |
| DATASHEET.....                   | 31 |
| MAINTENANCE INSTRUCTIONS .....   | 47 |
| REPAIRS AND REPLACEMENTS .....   | 51 |
| TROUBLESHOOTING .....            | 57 |
| DECLARATION OF CONFORMITY .....  | 60 |
| IDENTIFICATOR .....              | 62 |
| GUARANTEE .....                  | 62 |

## CAUTIONS

### IMPORTANT INSTRUCTIONS

Please before installing or using the air curtain, read carefully all instructions and considerations to reduce the risk of fire, electric shock, injury to people or damage to the air curtain itself. For that is recommended to follow the next basic precautions:

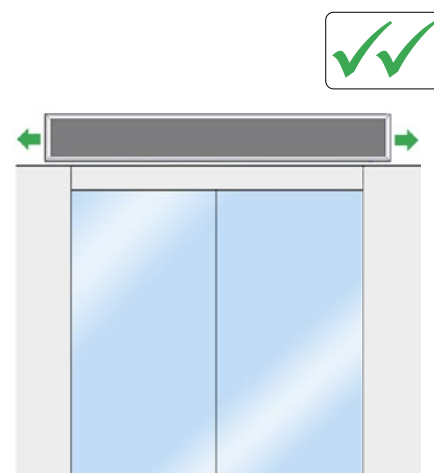
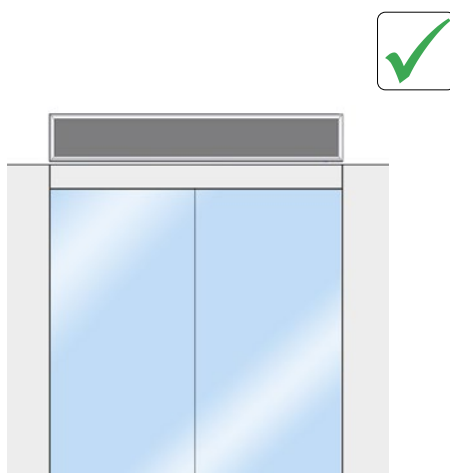
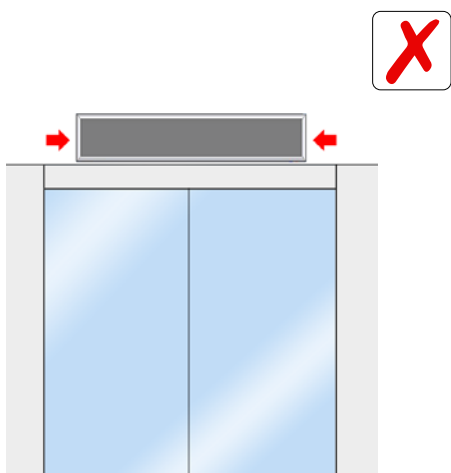
1. Use the air curtain only in the manner intended by the manufacturer and described in this manual. Any other use not recommended may increase the risks mentioned before.
2. Installation work and electrical wiring must be done by a qualified technician. Be also careful to not damage electrical wiring or hidden utilities when cutting or drilling into a wall or ceiling.
3. The air curtain is a heavy appliance and for that matter it must be elevated with proper lifting tools to prevent injuries to the people who install it.
4. Before servicing or cleaning the unit, switch power off at service pannel and lock the service disconnecting the means to prevent being switched on accidentally. When the service protection elements cannot be locked, securely fasten a prominent warning device, such as a tag, to the service panel.
5. It's HIGHLY recommended to do a periodical maintenance as stated in this manual section following the instructions given to clean the inlet grille, visual inspect each part and prevent any possible malfunction or issue of the air curtain before it happens.
6. Do not operate any air curtain after it malfunctions. Disconnect power at service panel and have air curtain inspected by a qualified technician before reusing.
7. To disconnect the air curtain, turn the control "OFF", wait 10 minutes for the device to stop completely and then turn off power supply to the air curtain.
8. The air curtains with heating are hot when in use. To avoid burns, do not let bare skin touch hot surfaces. Keep combustible materials, such as furniture, pillows, bedding, papers, clothes, etc at least 3cm (1 inch) from the top, back, front, sides and at least 180cm (6 feet) from the discharge of the air curtain.
9. To prevent a fire, do not block the air intake or discharge of the air curtain in any manner. Also prevent any foreign objects to enter any ventilation or exhaust opening as it may cause an electric shock, fire or damage the air curtain.
10. The air curtain has hot and may have arcing or sparking parts inside. Do not use it in areas where gasoline, paint or flammable vapors or liquids are used or stored.
11. Extreme caution is necessary when any air curtain is used by or near children, elderly or invalids, and whenever the air curtain is left operating unattended.
12. Some air curtain may include a visual alarm to warn that parts of the air curtain are getting excessively hot. If the overheating alarm is active because inside the temperature is rising too much, then the air curtain protects itself changing the functioning by increasing ventilation speeds and/or reducing heating stages. Check Troubleshooting part in this manual for more info about how to proceed.
13. Air curtains must not be installed outdoors unless is intended for outdoor use. If so, the air curtain should be always protected against rain and it's recommended a special protection to prevent corrosion and other issues caused by the environment (optional).
14. In case of vertical air curtains, these MUST be installed in a leveled floor for optimal performance and prevention of accidents.
15. The optimal working temperature of the fans is between 5°C and 40°C (41°F to 104°F) to protect the electrical components and at most should not exceed 50°C (122°F).

### KEEP THESE INSTRUCTIONS

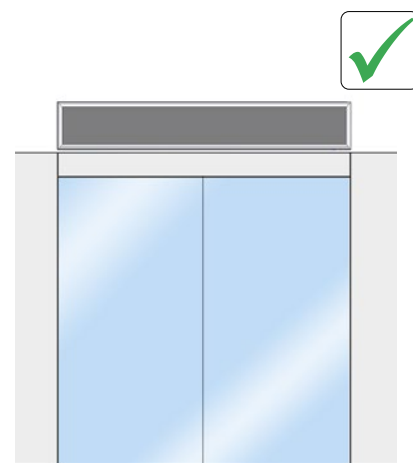
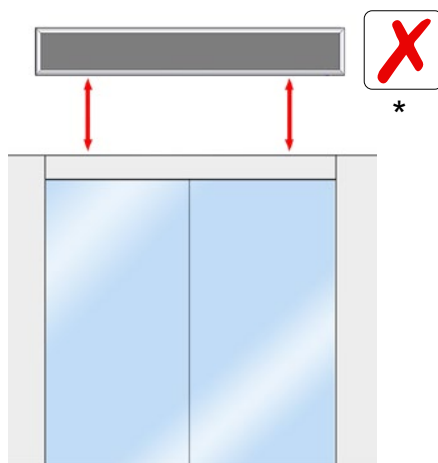
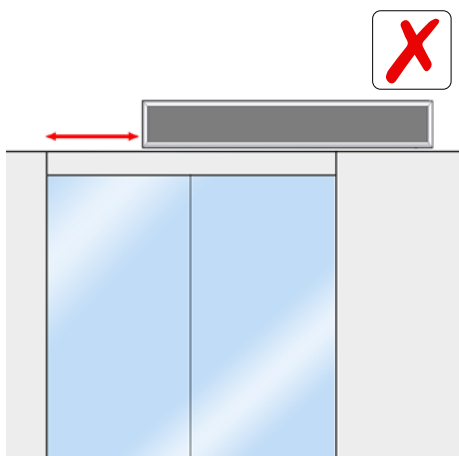
# INSTALLATION

## Tips and recommendations for a good installation

### LENGTH

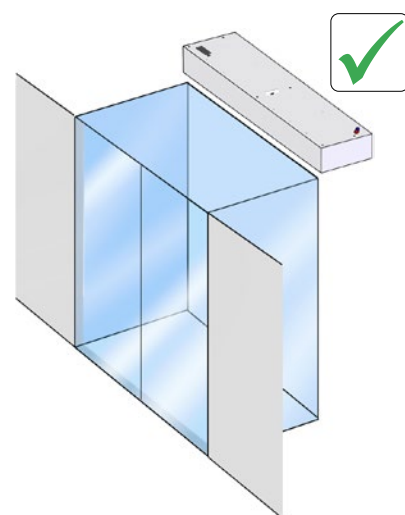
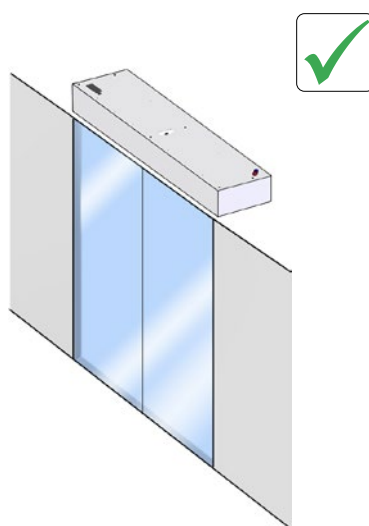
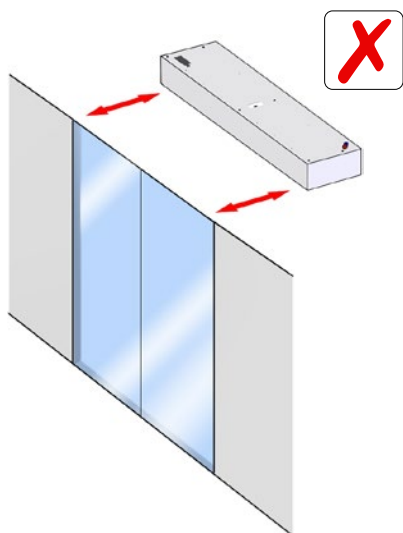


### CENTERED / HEIGHT



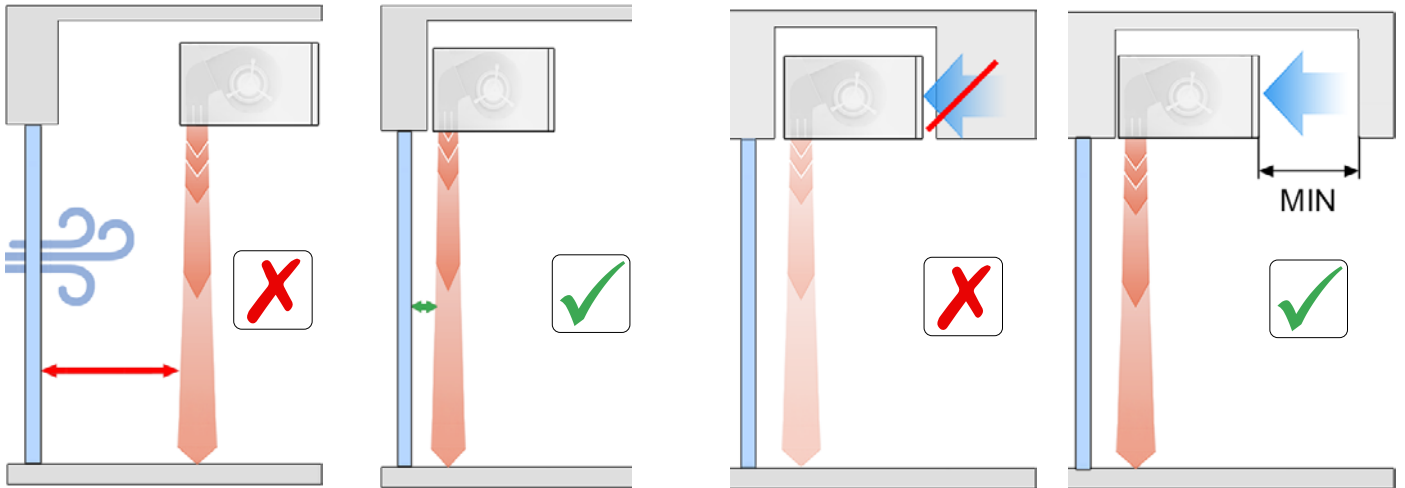
(\* ) Unless it has been designed to be installed at that height.

### DOOR DISTANCE

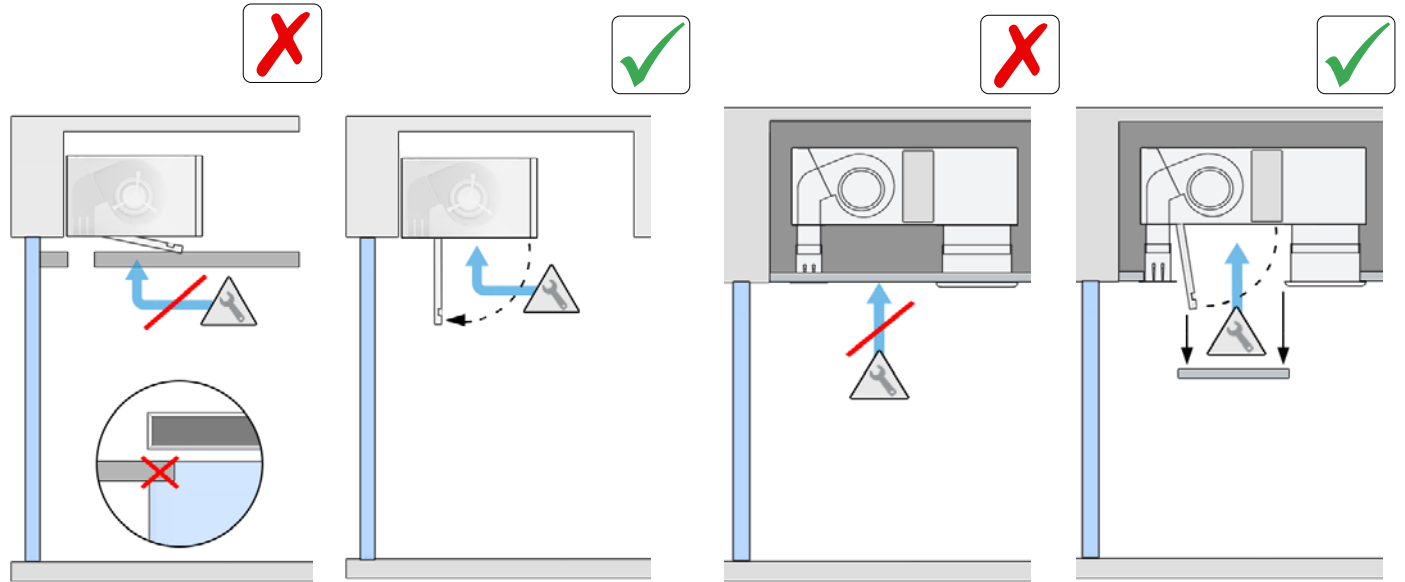


**AIR DISCHARGE**

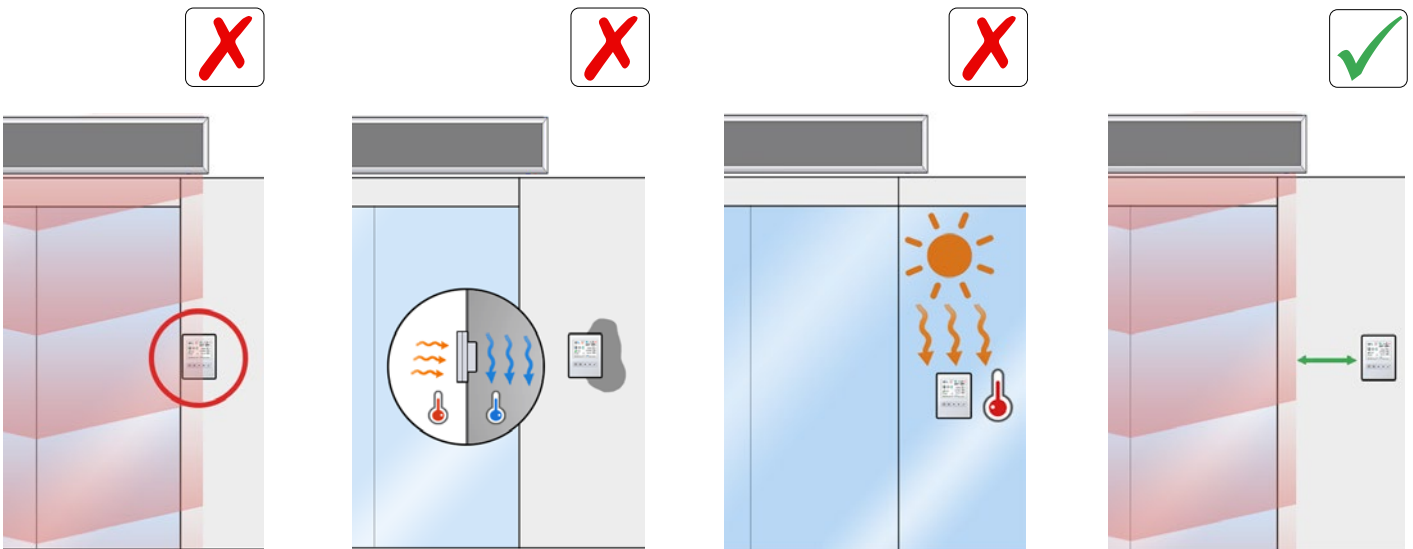
**AIR ASPIRATION**






**MAINTENANCE ACCESSIBILITY**

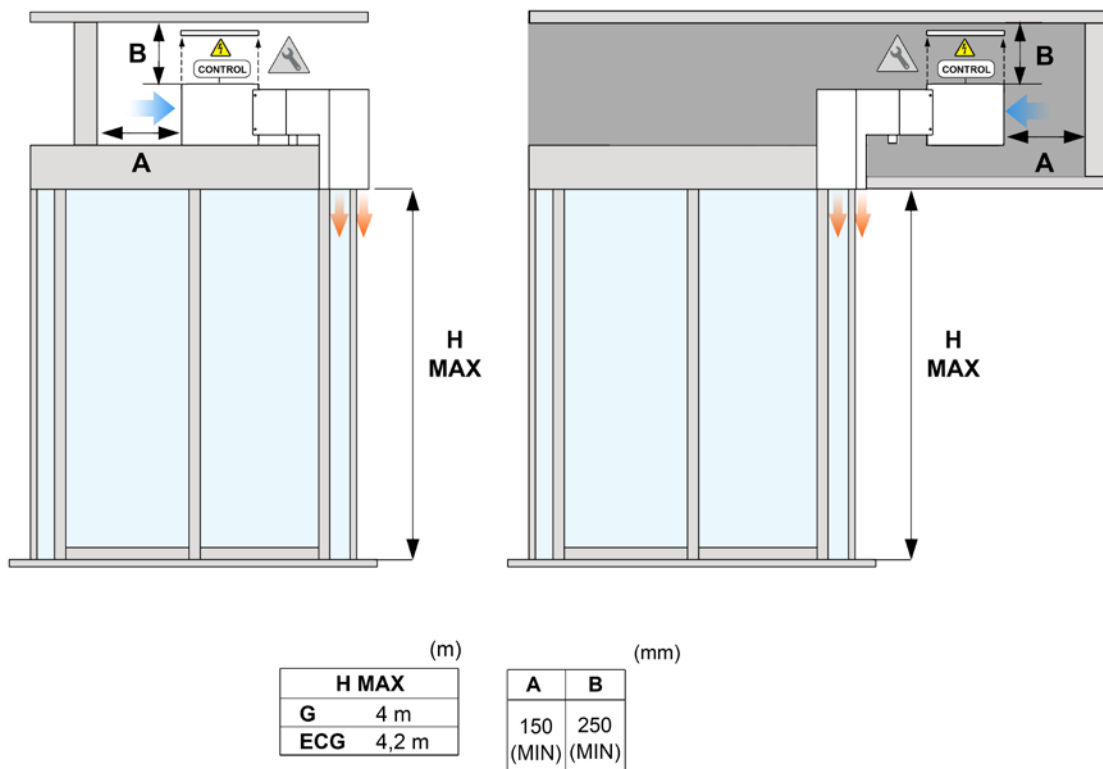


**CONTROL**



## Rotowind model

|   |  |
|---|--|
|  | <p>Installation work, connection, disconnection, electrical wiring, mechanical maintenance and service must be done by qualified people observing these instructions and in accordance with all applicable norms and standards.<br/>If the unit is operated with additional controller, please consider its specific instructions.</p> |
|  | <p>There is no need to open the service door to connect the air curtain. All connections (power supply, control, water pipes when existing) and fixations are external. They are placed on top or lateral of the units. See how to open service door at repairs section.</p>   |
|  | <p>For safety, the air curtains never have to be stopped by disconnecting them from the main supply, always through the controller and waiting 10 minutes at least to disconnect the main supply. In case to not follow these instructions, the internal parts of the air curtain can be damaged.</p>                                  |






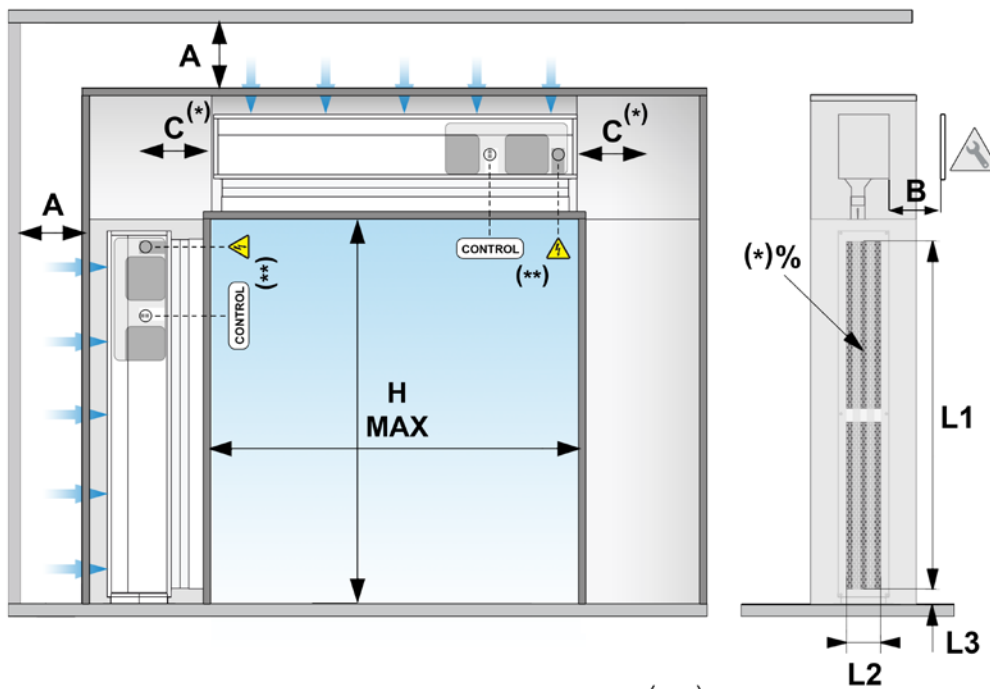
H MAX. Maximum recommended range, MIN. Recommended minimum distance

The minimum recommended distance between the suction grille and any obstacle is 150 mm (Dimension A)

Dimension B: service opening distance.

**Invisair model**

|   |   |
|---|---|
|  | <p><b>Installation work, connection, disconnection, electrical wiring, mechanical maintenance and service must be done by qualified people observing these instructions and in accordance with all applicable norms and standards.</b></p> <p><b>If the unit is operated with additional controller, please consider its specific instructions.</b></p> |
|  | <p><b>There is no need to open the service door to connect the air curtain. All connections (power supply, control, water pipes when existing) and fixations are external. They are placed on top or lateral of the units. See how to open service door at repairs section.</b></p>   |
|  | <p><b>For safety, the air curtains never have to be stopped by disconnecting them from the main supply, always through the controller and waiting 10 minutes at least to disconnect the main supply. In case to not follow these instructions, the internal parts of the air curtain can be damaged.</b></p>  |



| (m)          |       | (mm)     |          |          |           |           |           |
|--------------|-------|----------|----------|----------|-----------|-----------|-----------|
| <b>H MAX</b> |       | <b>A</b> | <b>B</b> | <b>C</b> | <b>L1</b> | <b>L2</b> | <b>L3</b> |
| <b>M</b>     | 3,5 m | 200      | 250      | 10       | 1500      | 200       | 100       |
| <b>G</b>     | 4 m   | (MIN)    | (MIN)    | (MIN)    | 2000      |           |           |
| <b>ECG</b>   | 4,2 m |          |          |          | 2500      |           |           |

H MAX. Maximum recommended range, MIN. Recommended minimum distance

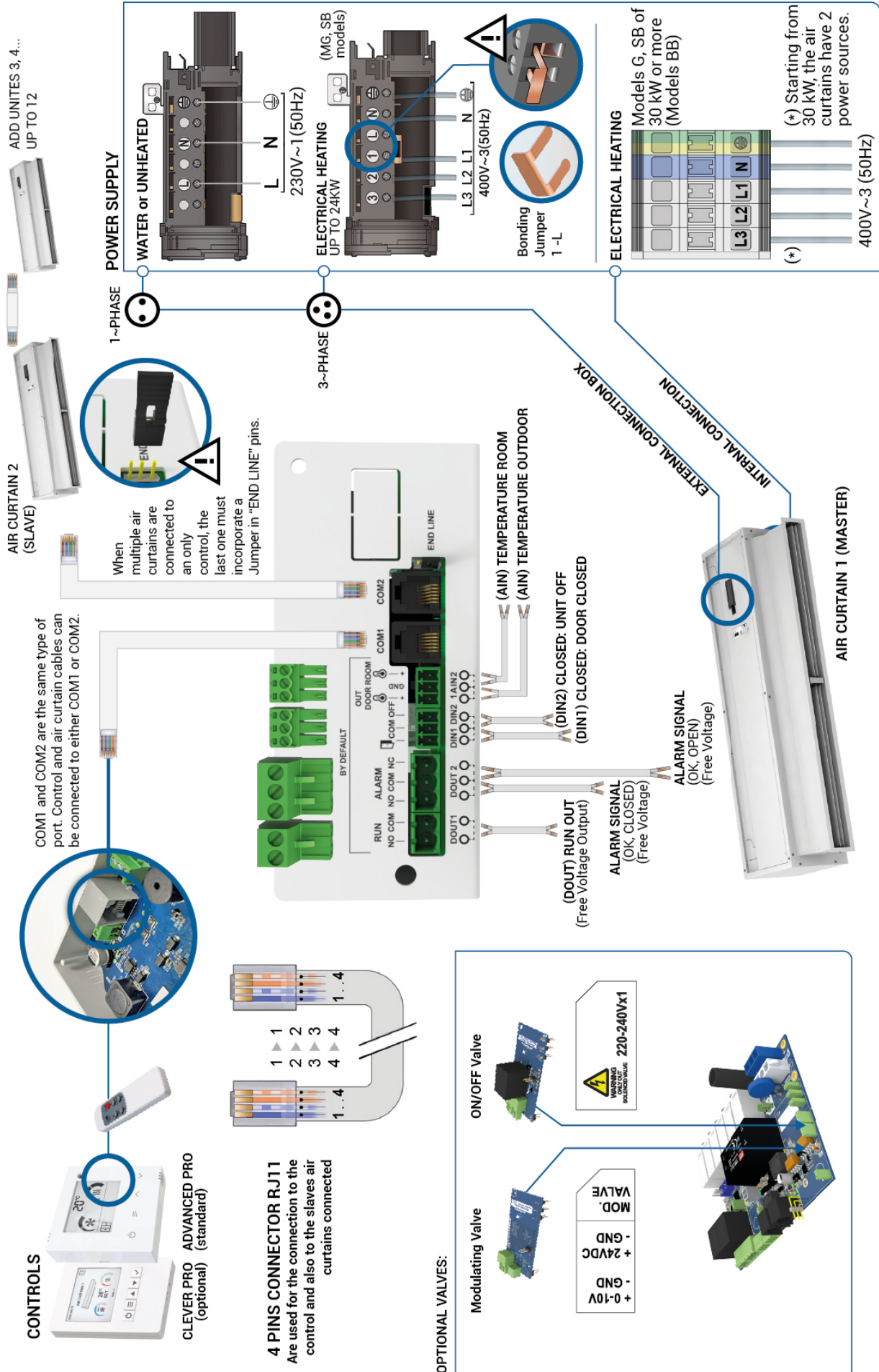
The minimum recommended distance between the suction grille and any obstacle is 200 mm (Dimension A)

(\*) Standard equipment. Upon request, this distance can be reduced to 10 mm when the connections are located inside the equipment and the tube outlet is lateral. In this case, the dimension is 100 mm.

Dimension B: service opening distance.

# Connection diagram

## Standard Rotowind-Invisair M-G and SB-BB



## Power supply

To connect the device to power, there is a black junction box at the top of the exterior of the air curtain.



For air curtains without heating or with water heating, the air curtain must only be connected to a 230V single-phase current for the operation of the fans.

In the case of an air curtain with an electric battery, connect the 400Vx3 three-phase power supply from the electric battery. Optionally, the battery power can be 230Vx3 three-phase or 230Vx1 single-phase (special diagram included).

The single-phase current is only connected to one phase of the three-phase lines, plus a connection to the neutral. Recommended maximum number of curtains connected to the same differential:

| Modelo         | Diferencial 30mA | Diferencial 300mA |
|----------------|------------------|-------------------|
| M-G            | 20 uds.          | 20 uds.           |
| ECM-ECG, SB-BB | 2 uds.           | 20 uds.           |

Each installation must be reviewed by a specialist to ensure that there is no incompatibility with the selected differential and the connected curtains.

## Control

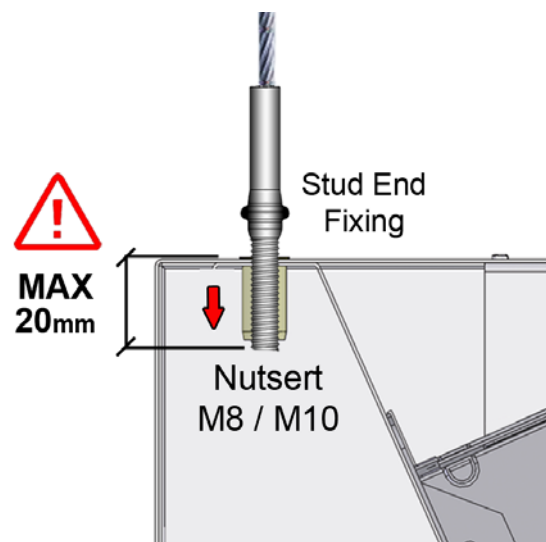
To connect the control to the air curtain, there are terminals (COM1 or COM2) located on the outside top of the air curtain. It is not necessary to open the air curtain to connect it, except for internal connections. Use the 7 meter RJ11 cable supplied with the equipment and connect one side to the control and the other to COM1 or COM2 in the air curtain.



## Fixings

The curtain has several external fastening points depending on the weight and length (see situation in the model characteristics section).

Generally, air curtains are installed horizontally. For vertical installation, use the feet kit (see accessories section). The anchor must be sized according to the weights of each curtain indicated on the technical data page. The installation can be done using threaded rods, tensioners or other supports (see available supports in the accessories section).

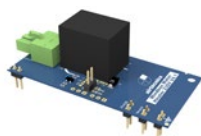


Air Curtain

## Water heating

The air curtains with water heating have a 220-240Vx1 output to optionally connect an ON/OFF valve (it opens or closes the water inlet to the heat exchanger). It also includes either 24V or 0-10V output for proportional valve.

SOLENOID VALVE (\*)



MODULATING VALVE (\*\*)



This output can also be used for other low amperage electrical appliances (1,5A).

(\*) By default (\*\*) Under request, without price increase

Recommendations:

- Close the hot water flow (valve) to avoid overheating of the motors while the equipment is off. Optionally, Airtècnics offers solenoid and modulating valves.
- In the installation of the building, two shut-off valves (in and out) should be provided to be able to disassemble the equipment without problems.
- Mount a bleeding valve at the highest point of the heating section.

Antifreezing:

All the water heated air curtains include an antifreezing function. When room temperature is below 5°C and the valve is closed, the air curtain stops the ventilation and opens the valve to enable the water heating.

The water coils have a drain screw in the collector area to empty the water in case of maintenance (see repairs and replacements sections).

## Electric heating

The electric battery has up to 15 resistances in the form of a bar that, combined with each other, provide 3 stages of heating. Control is carried out by three PRBEO or Contactors depending on the heating power and the fan range.

All the batteries are electrically and electronically protected against overheating (see section “Operating instructions”).

Electric controllers include an external thermostat to control heating based on temperature.

During the first uses, the electric battery can give off some odor that disappears in a few days.



According to battery power, the regulation is carried out by:

| Range | Coil heating power (kW)      | Regulation type |
|-------|------------------------------|-----------------|
| MG    | 9 / 12 / 15 / 18 / 22,5 / 24 | PRBEO           |
| SB    | 30 / 34 / 42                 | CONTACTORS      |
| BB    | 21 / 27 / 42 / 46 / 50       | CONTACTORS      |

## TRANSPORTATION AND STORAGE



**Warning! Heavy load.**  
**Do not stand under the suspended load during transportation or assembly.**

Store in a dry place protected from the environment. If the package is opened, cover the curtain to protect it from the dust. Do not step on or place heavy loads on it to avoid damage to the material. Storage temperature between -20 °C and +40 °C.

When transporting the material, you must ensure that it is not damaged by the forklift. (possible penetration of the fork in the packaging). Observe the instructions on the packaging for correct manipulation of the product.



## OPERATING INSTRUCTIONS



**For safety, the air curtains must never be stopped by disconnecting the current, always do it through the controller. If the power is turned off to turn off the shade, or within ten minutes of turning it off with the controller, internal components may be damaged.**

## LCD Control ADVANCED PRO

The **ADVANCED PRO** is a versatile Plug&Play air curtain control with communication via a standard 4-way RJ11 cable.

Compatible with all air curtain models:

- 2 and 5 ventilation speed
- Air only, heating with water coil, electric and heat pump.

Once connected, it will detect the model of the air curtain and configure itself automatically (number of speeds and type of heating).

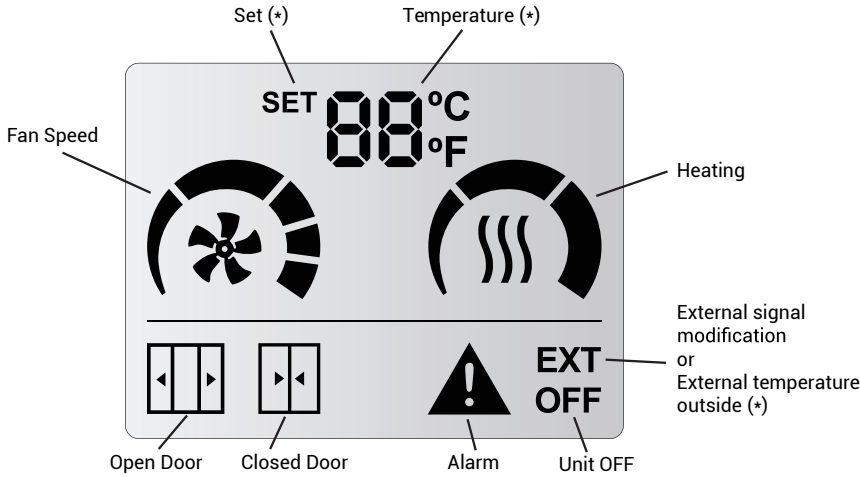
The **ADVANCED PRO RJ11** control allows the selection of different speeds and heating stages for door open and door closed.

In addition, it limits the heating based on the set temperature according to the room temperature (optionally also with the outside temperature) and the door status.

A 'Boost' function is available when the door is open, which increases the heating to ensure comfort.

- Backlight LCD display indicates fan speed, heating stage, set, ambient and outdoor temperatures (if an additional sensor is installed outside the building), door status, alarms and errors, and external signals (EXT).
- Inbuild room thermostat to turn ON/OFF or modulate the heating according to set temperature.
- Ready for the installation of a potential-free door contact. This can be used to set one speed and heating stage for open door and another for closed door.
- It has 3 digital inputs with different functions depending on the air curtain model connected (OFF outside, OFF heating, fire alarm, etc.).
- Maximum speed and heating settings for open door and closed door, boost mode, memory, etc.

**Screen and Button Layout:**



|                     |  |
|---------------------|--|
| Room                |  |
| SET                 |  |
| External (optional) |  |
| Discharge           |  |
| Inlet (optional)    |  |

**Button Layout:**



- ON/OFF (circle with line) allows to return to previous screen in Menus and starts/stops the air curtain.
- Use the arrows to set the temperature when electrical/water.
- User Menu to configure (3 lines):
  - Door open and door close ventilation speed.
  - Door open and door close heating stage.
  - Set temperature when electrical/water.

**User Functioning:**

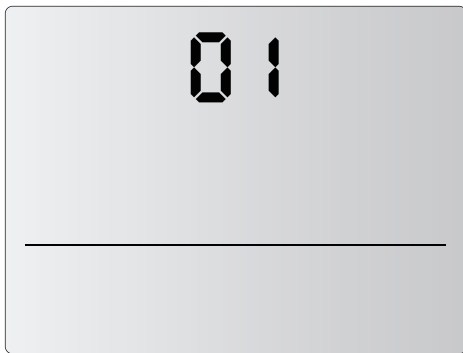
The display will know what functional limits exists and will only show the parameters that the user can modify.

- **Temperature SET:** the desired temperature can be set between 10°C and 35°C. Below 10°C and above 35°C, the user can select “no” and the heating will not be limited by temperature (thermostat mode deactivated).
- **Fan Speed:** user can select one fan speed for open and another for closed door. If the speed is set to 0 then the unit will be off.
  - **Slave DX (P2):** Only one speed can be selected when the heat pump is running.
  - **Interface Slave (P0):** The speeds are selected via the control of the heat pump brand.
- **Heating:** it depends on the air curtain model:
  - **Only Air:** It has no heating.
  - **Electrical heated:** The user can select the heating stage based on the configured ventilation speed and the door’s status.
  - **Water heated (ON/OFF):** The user can select the valve’s on or off state (optional), depending on the configured ventilation speed and the door’s status.
  - **Modulating heating:** The user can select the heating stage based on the configured ventilation speed and the door’s status.

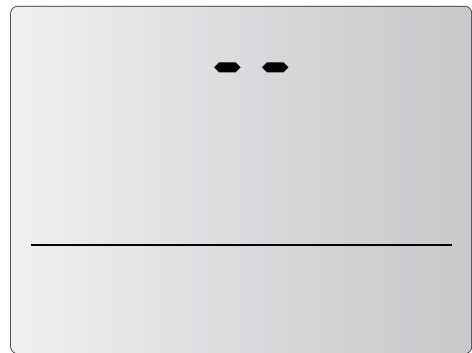
## Device Initialization

When the control is powered, the display will show the firmware version and subversion, the input/output program it is working on and how many PCBs are connected to the control.

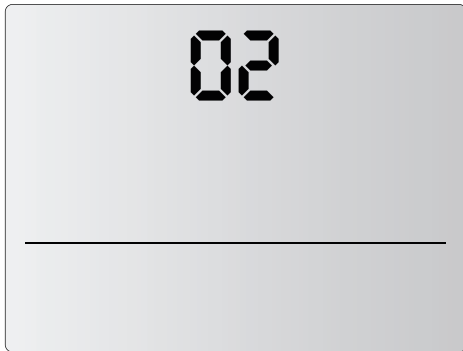
Example: Displays show with a V01.02 version, a P1 configuration of inputs/outputs and 2 PCBs connected.



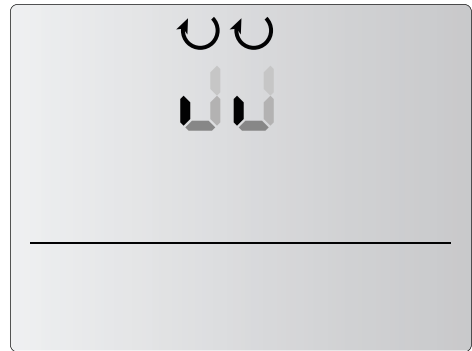
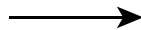
ADVANCED PRO version: 01



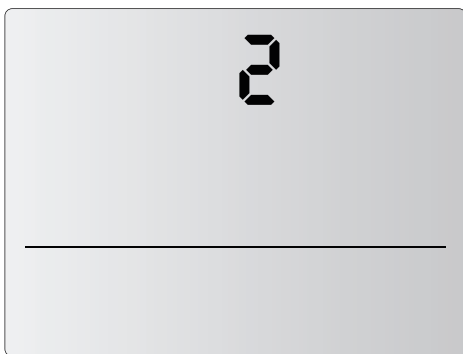
Space between version and subversion.



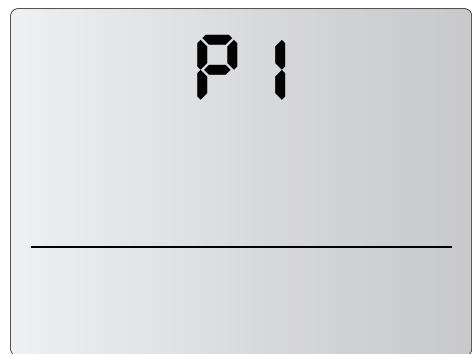
ADVANCED PRO subversion: 02



Scanning units.



2 units connected to the control  
(last number shown during initialization)

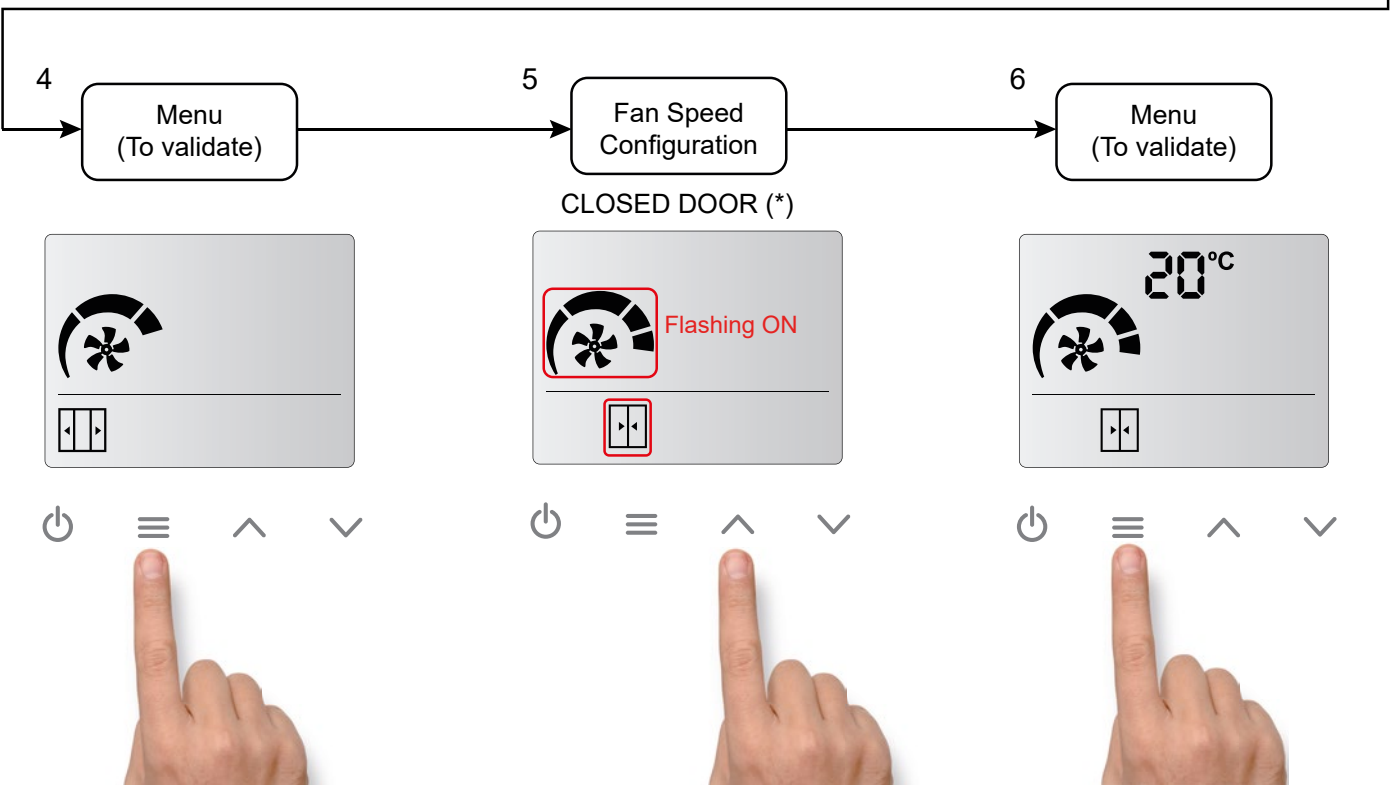
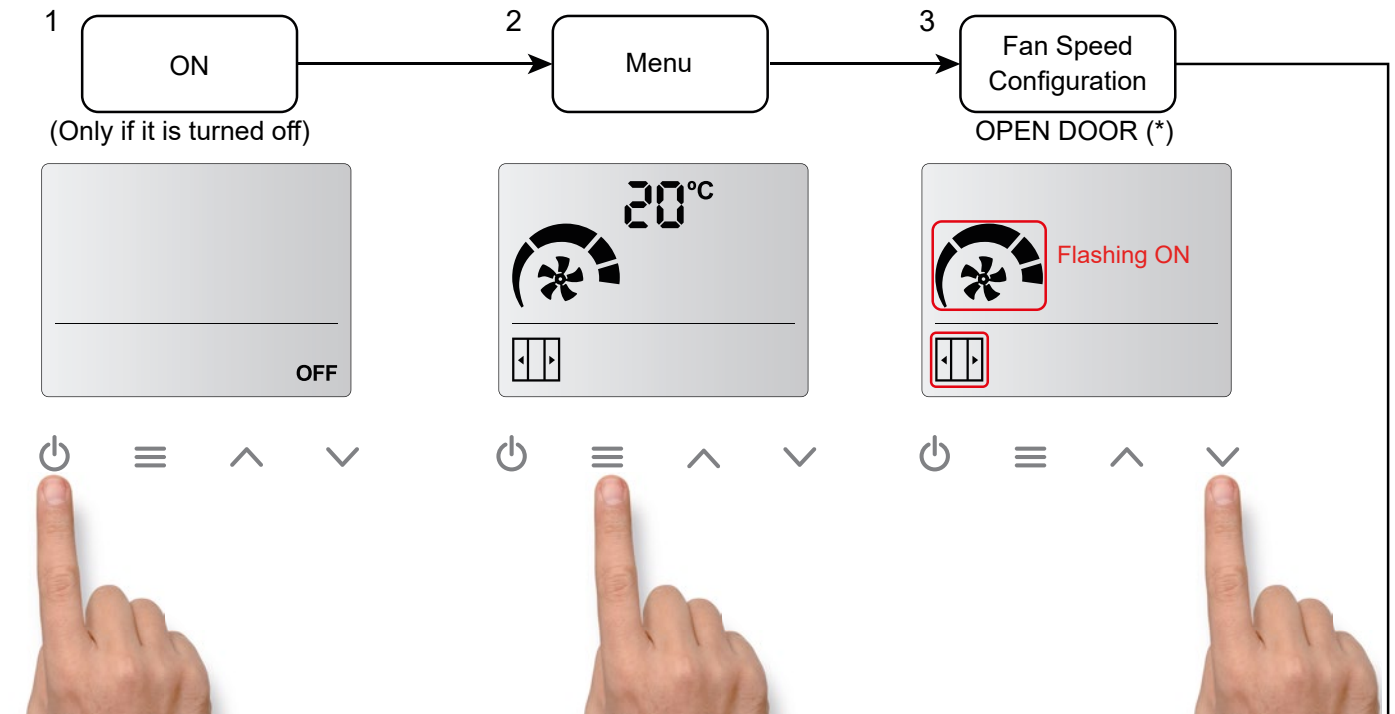


Unit Working in P1.

## LCD User Menu Flow

Once the control has been initialised, the user can select the ventilation speeds and heating stages at which the air curtain is wanted to operate. To do this, the user may follow the diagram below:

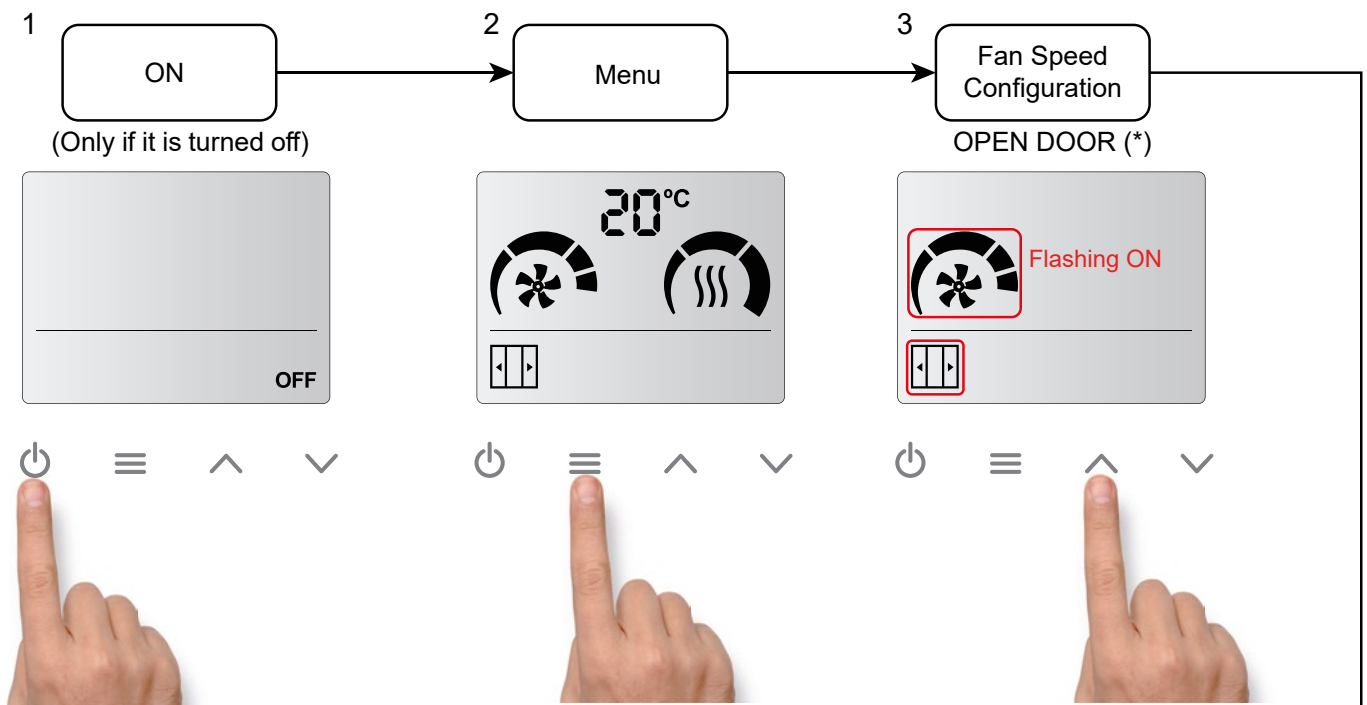
### Menu Flow for Only Air (Non-heated) models:



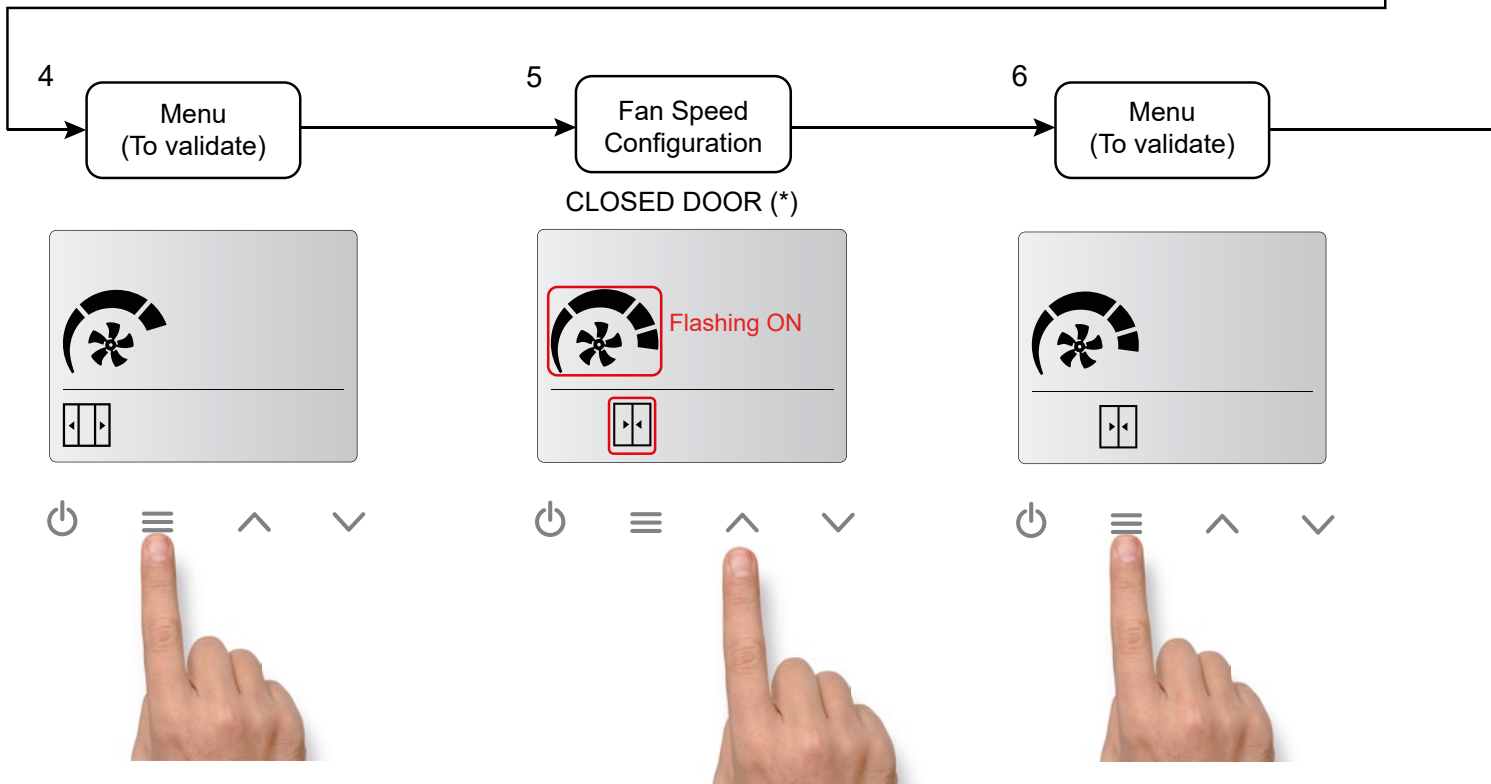
(\*) If the door contact is not detected, the door open and door closed icons will not appear. Only one speed and one heating will be available.

For the door icons to appear, a door contact must be connected to the 'PCB DIN1' input and a door opening and closing cycle must be performed.

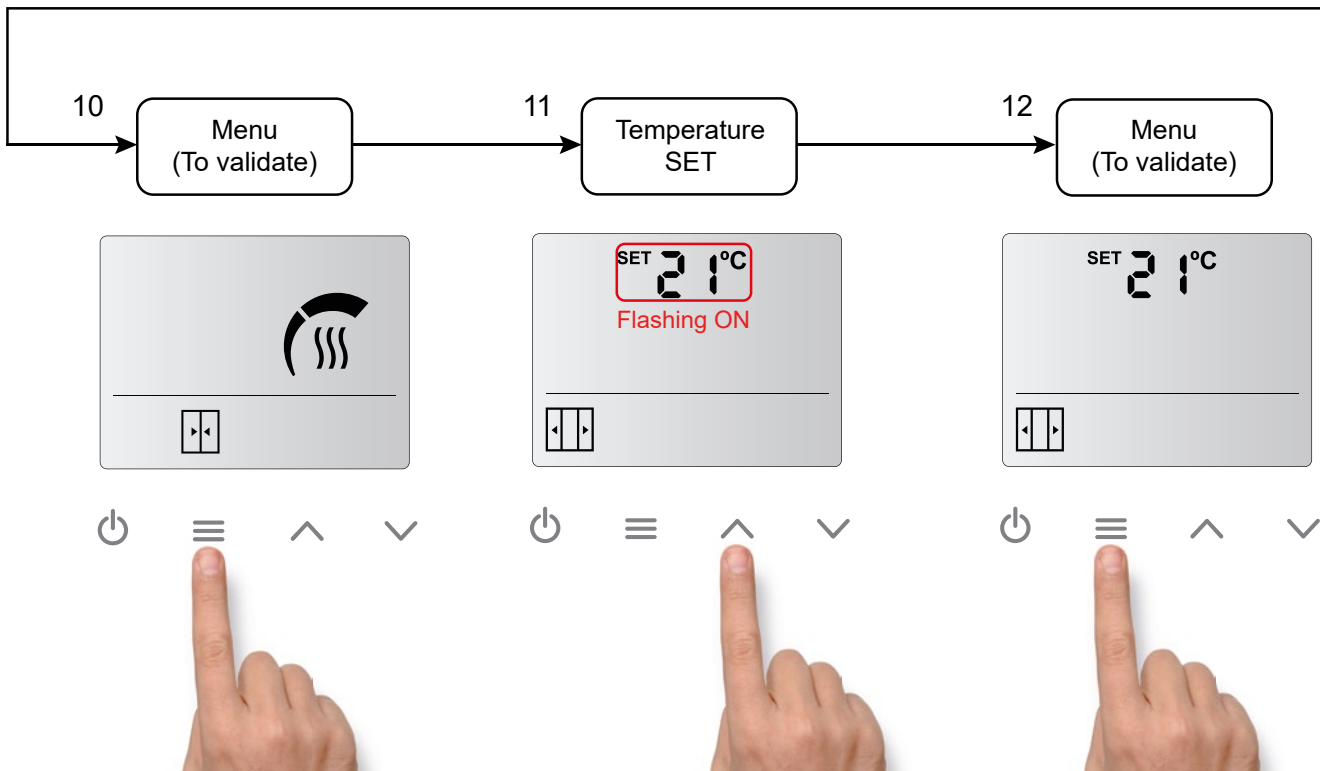
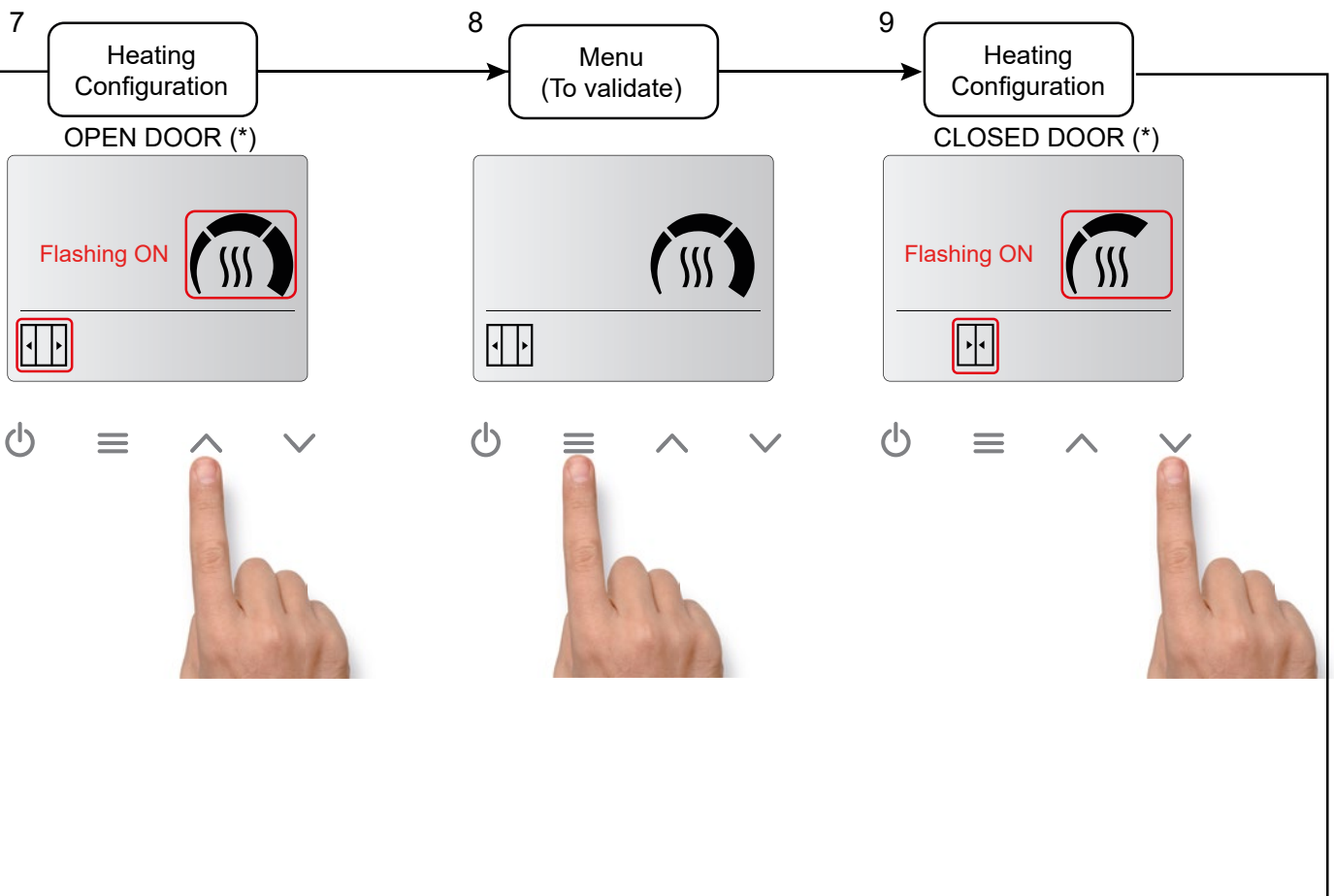
**Menu Flow for heated air curtains models (it's the same process for electric heated, water heated or heat pump units) with CD control:**



When turn on the unit or power supply is restored: if memory is ON, it will return to the configuration it had before turn off or external incident (power supply fail).

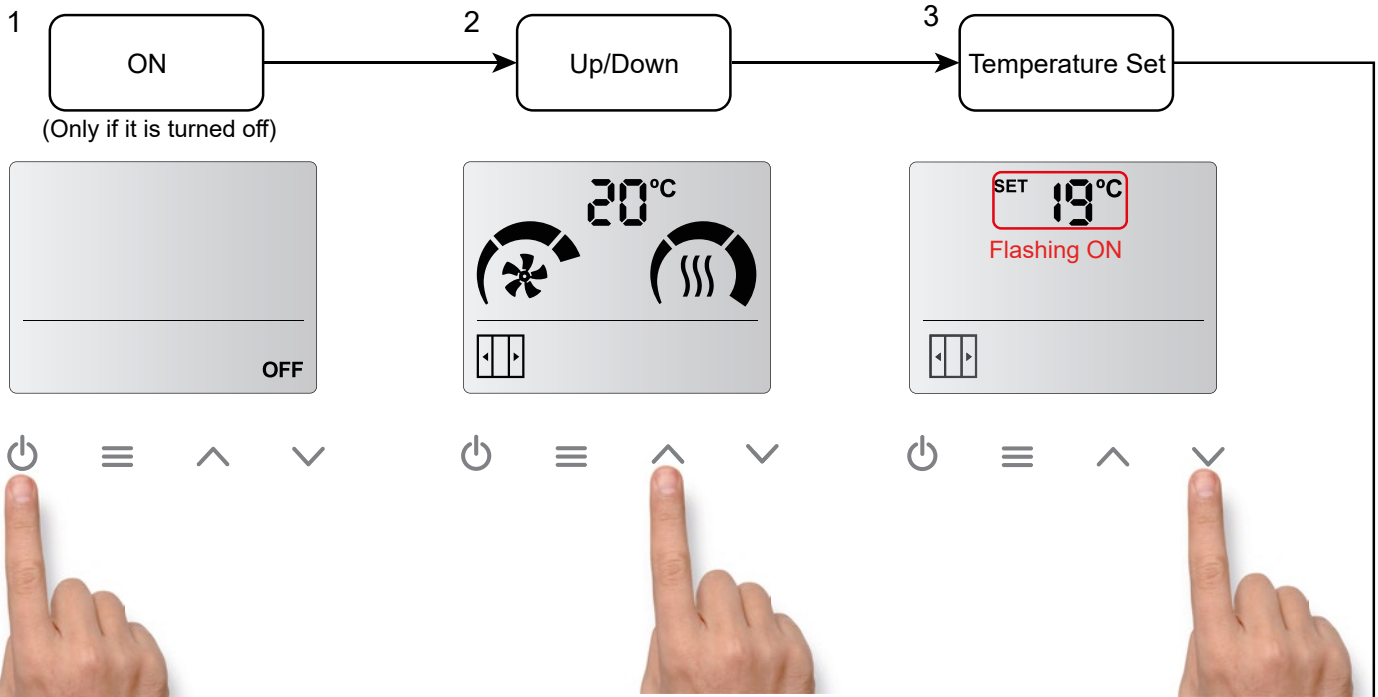


(\*) If the door contact is not detected, the door open and door closed icons will not appear. Only one speed and one heating will be available. For the door icons to appear, a door contact must be connected to the 'PCB DIN1' input and a door opening and closing cycle must be performed.

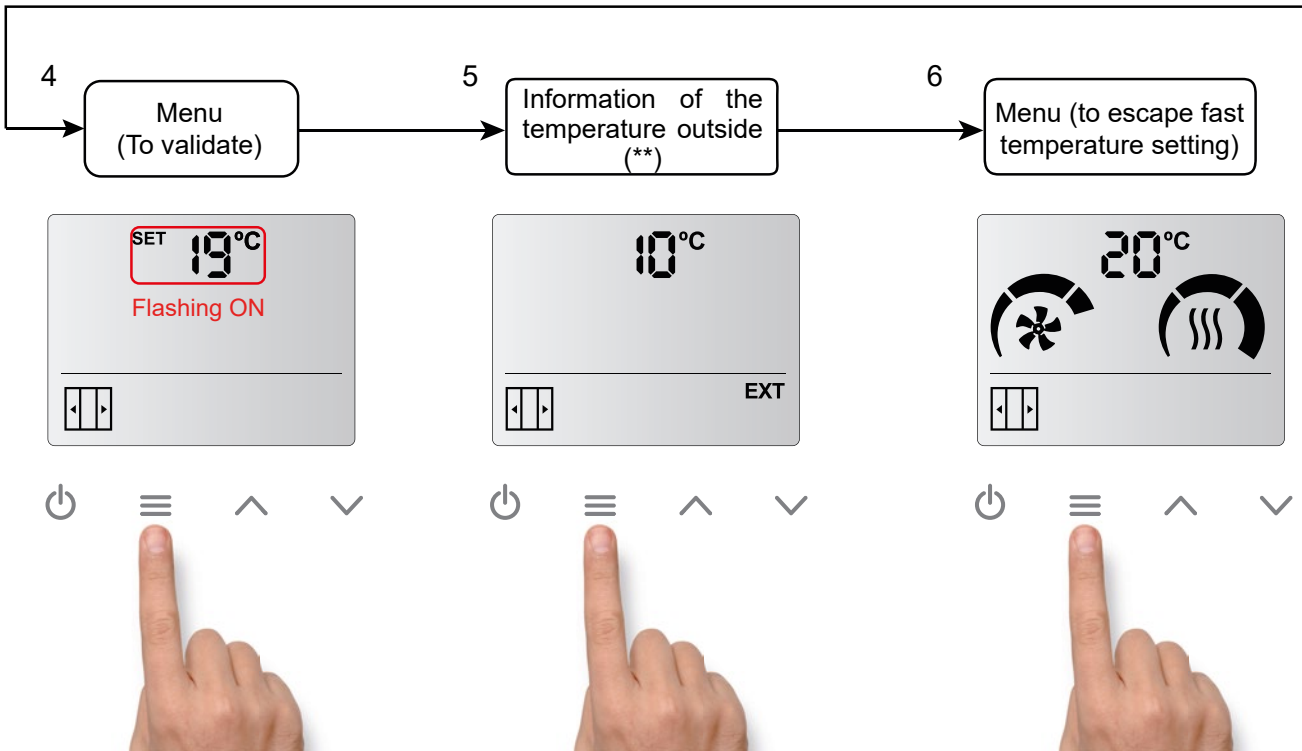


(\*) If the door contact is not detected, the door open and door closed icons will not appear. Only one speed and one heating will be available.  
For the door icons to appear, a door contact must be connected to the 'PCB DIN1' input and a door opening and closing cycle must be performed.

**Fast access for temperature setting (only for heated models):**



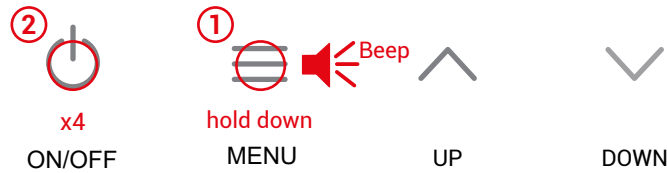
When turn on the unit or power supply is restored: if memory is ON, it will return to the configuration it had before turn off or external incident (power supply fail).



(\*\*) Only if an outside temperature sensor is installed on the air curtain PCB.

## Control Locking

The control can be locked, but the air curtain will still operate normally.  
To lock the device, the user needs to press the following key combination:

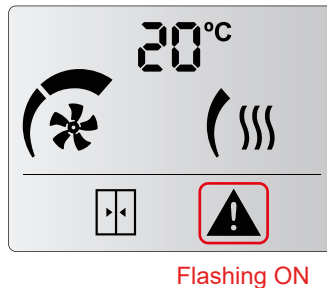


Hold down the menu button until the beep sounds and press the ON/OFF button 4 times and release the MENU button. Then a higher-pitched beeping sound will be played.

When the equipment is locked, the user will not be able to carry out any action. This limitation also applies with the remote control.

For example, when pressing the menu, a lower-pitched beep will be played indicating that the equipment is locked.

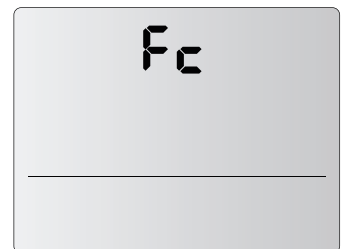
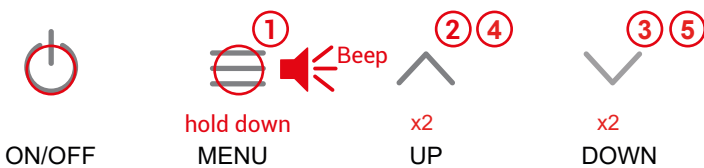
In addition, the alarm symbol shall appear on the display.



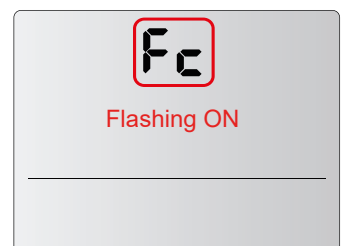
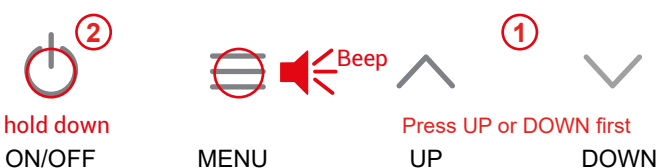
To **unlock the unit**, the user must repeat the same combination of buttons as for locking.  
Then a higher-pitched beeping sound will be played, indicating that the control has been unlocked.

## 3. FACTORY CONFIGURATION RESET

The factory configuration reset function returns to the default values of the configuration menu, to do so:  
Hold down the MENU button until the beep sounds, press alternitavely 4 times the UP and DOWN buttons, 2 times for each. The icon Fc will appear on screen.



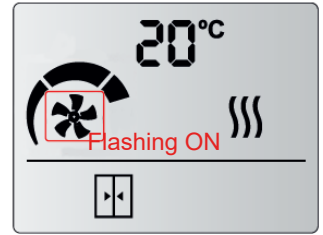
Press either the UP or the DOWN button, the Fc icon will flash on. Afterwards, hold down the ON/OFF icon for 3 seconds and you will hear 3 beep sounds to finally return to the factory configuration.



## Cooling, Autocooling, External control and Boost function

### Cooling:

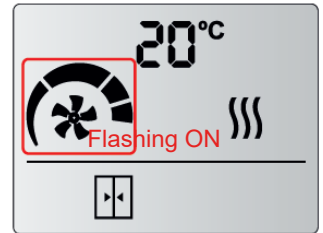
When the discharge temperature is lower than the ambient temperature, Cooling mode starts working (flashing temperature units icon) and limits to the third fan speed. The fan icon will flash intermittently in case the set speed is higher than 3.



### Autocooling:

Autocooling is only available for Electric heating.

If the air curtain has been running with heating for more than 10 s at a time and the user switch it off, the ventilation continues ON (at the same speed before stop the control) up to a maximum of 90 s depending on the heating working time. The ventilation speeds icons will flash intermittently and the fan icon will remain static.



### External control:

The "EXT" icon indicates that there is an external control to the unit and it is affecting the unit. There are four external signals available, depending on the program selected.

In the P1 program:

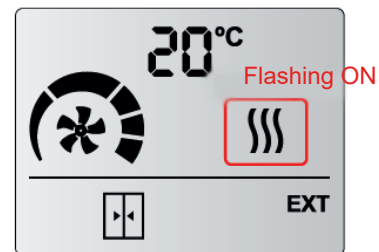
- **EXT OFF:** The unit has been stopped by External OFF contact. Not considered an alarm.
- **HEAT OFF:** Heating OFF, stopped externally. Not considered an alarm.

In the P2 program:

- **FAN EXT:** It is possible to select a fan speed when the DIN1 is closed.
- **Defrost:** The unit is set to configured speed (V1 default) for the duration of the defrost. The fan and ventilation speeds icons will flash intermittently.



EXT CONTROL OFF



HEAT OFF

### Boost Function:

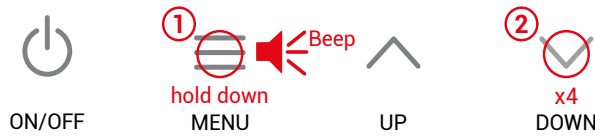
The Boost function increases automatically the setpoint temperature (SET) when the door is open. For the function to be active, the door contact or the exterior sensor must be installed and, in addition, the Boost function varies according to the accessories installed:

| Door contact | Exterior sensor | Boost   |
|--------------|-----------------|---|
| NO           | NO              | Not available   |
| YES          | NO              | Open door → Always Boost *                            |
| NO           | YES             | Exterior temperature ≤ SET Temperature -7             |
| YES          | YES             | Open door + Exterior temperature ≤ SET Temperature -7 |

\*If you want to deactivate this function, set function 10 in the configuration menu to 0°.

## Advanced Configuration

To access the advanced menu, hold down the menu button (until a beep is heard) then press the DOWN button 4 times and release the MENU button.



|  |  |  |  |
|--|--|--|--|
| <b>1- Door Delay (0,5,10...90)(seconds)</b><br>15 sec by default | <b>2- Maximum speed (limit)</b><br>Open Door (*)   | <b>3- Maximum speed (limit)</b><br>Closed Door (*)             | <b>4- Maximum heating (limit)</b><br>Open Door (*)                 |
|  |  |  |  |
| <b>5- Maximum heating (limit)</b><br>Closed Door (*)             | <b>6- Filter/maintenance (effective days) (*)</b><br>(0,1,2....99) (0 days by default)       | <b>7- Celsius/Farenheit</b><br>Celsius by default              | <b>8- Memory</b><br>00 - Memory OFF<br>01 - Memory ON (by default) |
|  |  |  |  |
| <b>9- Thermo FAN</b><br>On by default                            | <b>10- Set Boost Mode</b><br>SET + x°C when door is open<br>(+2 °C by default) (see page 11) | <b>11- Defrost Function</b><br>Only for Heat Pump air curtains | <b>Press Button</b><br>Between screens                             |
|  |  |  |  |

**1-** Time that the speed and heating stages remain in open door mode from the time the door contact is closed until the air curtain operates at closed door speed and heating stages.

**2,3,4 and 5-** Limits the ventilation and heating stages that can be selected in the user menu.

**6-** The numbers are sequential. If the maximum is reached, it will go back to the beginning. For example, in the *Filter/maintenance* days when the user reach 99 in case to keep going up it will go back to 0.

**8-** In a power failiure:

- If Memory is set as ON. Once power supply is restored, the unit will go back to work with the same parameters than before the failure.
- If Memory is set as OFF. The unit will remain switched off.

**9-** Thermo FAN (ON) - Ventilation ON when room temperature reaches SET temperature at closed door. Thermo FAN (OFF) - Ventilation OFF when room temperature reaches SET temperature at closed door.

(\*) By default, door open/close icons are not activated. First time the door contact is closed, then it is possible to choose door open heating/ventilation and door closed heating/ventilation.

## Special regulators

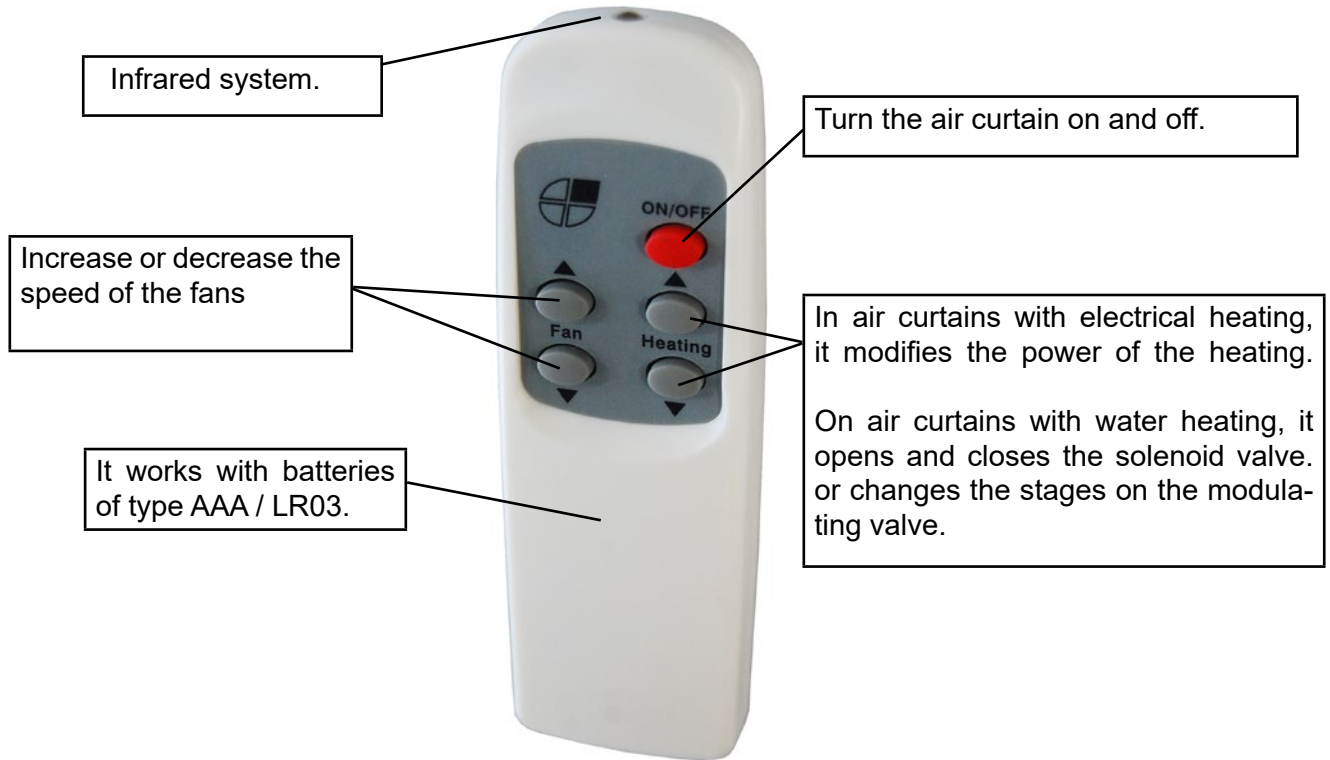
---

If there is a need to be able to control more parameters (intelligent proactive regulation, automatic/manual operation, door delay, time programmer, energy saving mode, multi-device management and BMS Modbus connection, among others) , there is one controller that allow much more possibilities than the standard controller. It has its own manual:

- Clever PRO control

## Remote Control Features

---

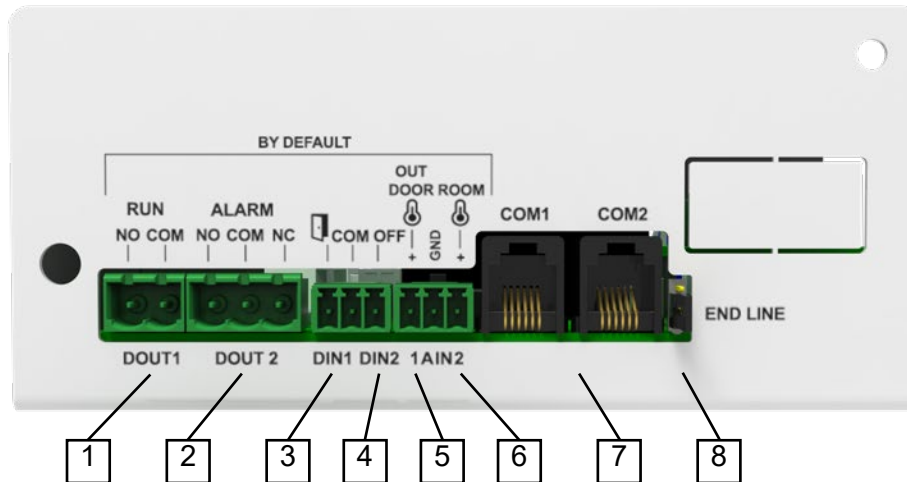


## Characteristics of PCB boards

Depending on the type of fan, the air speed is regulated by:

- AC: 110 - 230 V voltage range.
- EC: from 0 - 10V DC voltage range.

All PCBs have different inputs and outputs:



1. RUN OUT (DOUT1): Free Voltage digital output. It remains closed when the air curtain is working, it opens when the air curtain is not working.
2. ALARM SIGNAL (DOUT2): Only one of two options has to be connected, it cannot be connected simultaneously.
  - 2.1. ALARM SIGNAL (DOUT2, NO): Open when alarm signal is active.
  - 2.2. ALARM SIGNAL (DOUT2, NC): Closed when alarm signal is active.
3. DOOR CONTACT (DIN1): Free Voltage digital input. Door contact is closed when door is also closed, door contact opens consequently when door is open.
4. UNIT OFF (DIN2): Free Voltage digital input. Stops the air curtain, both heating and ventilation.
5. OUTDOOR (AIN1): Analog input for outdoor temperature sensor NTC B3950 10K at 25°C.
6. ROOM (AIN2): Analog input for room temperature sensor NTC B3950 10K at 25°C type. Once connected, it replaces Advanced PRO inbuilt sensor.

Internally the PCB has two temperature sensor connectors.

TEMP1: Replaces PCB sensor and measures outlet jet temperature.

TEMP2: Measures inlet temperature.

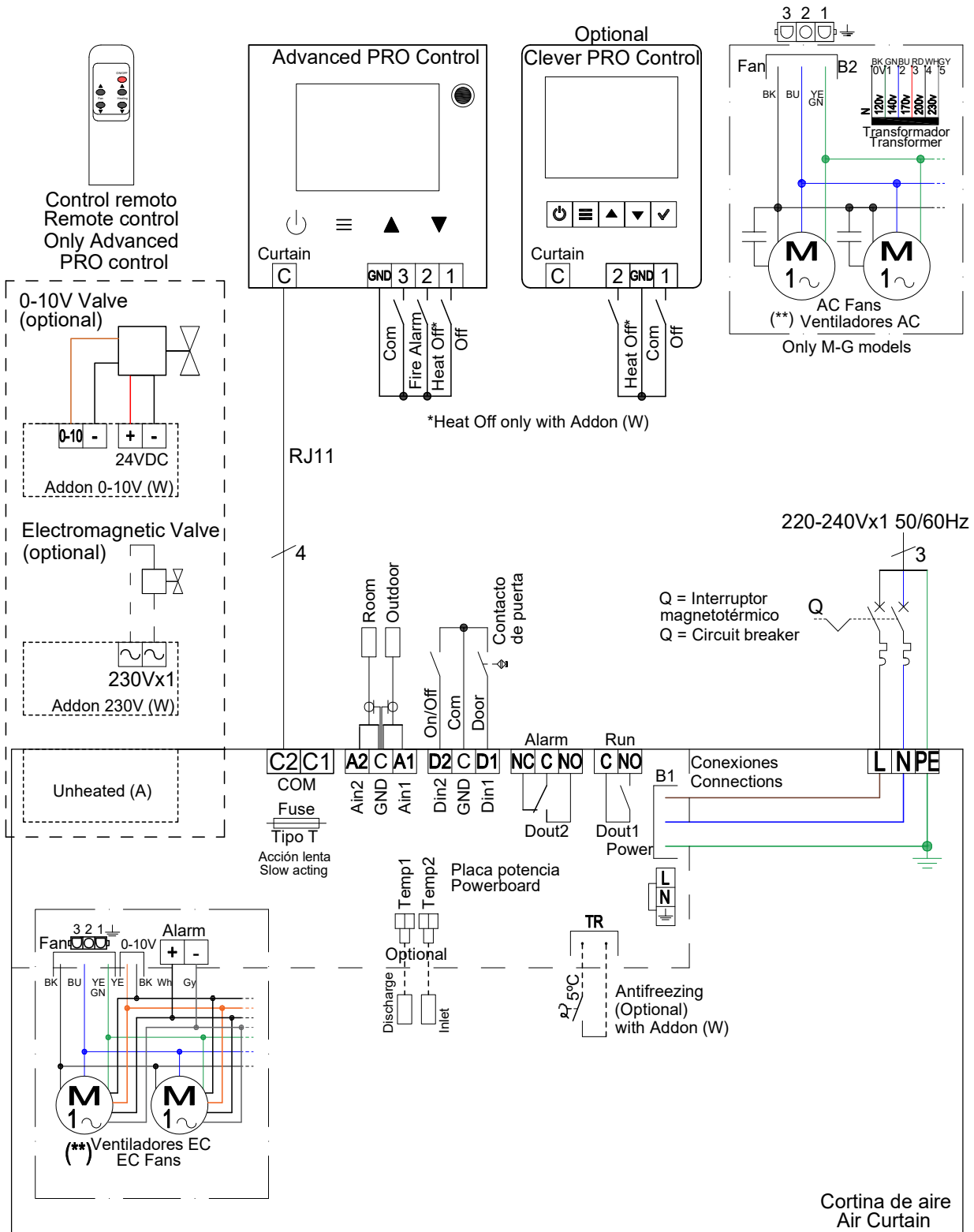
7. COM1/COM2: Communication port between Advanced PRO Control and other air curtains. COM1 and COM2 ports are interchangeable.
8. END LINE: When multiple air curtains are connected to one only control, the last PCB must incorporate a Jumper in "END LINE" pins.

## WIRING DIAGRAMS

For the models Rotowind and Invisair the following wiring diagrams are enclosed:

- Air curtain with water coil or only air (AIRDOE09080)
- Air curtain with water coil or only air SB-BB 2500 and 3000 models (AIRDOE09081)
- Electrical heated air curtains M models and G, SB 1000-1500 models (AIRDOE09084)
- Electrical heated air curtain 400Vx3 for G 2000-3000, SB 2000 models (AIRDOE09085)
- Electrical heated air curtain for BB 1000 and 1500 (AIRDOE09086)
- Electrical heated air curtain for BB 2000 (AIRDOE09087)
- Electrical heated air curtain for SB-BB 2500 and 3000 (AIRDOE09088)

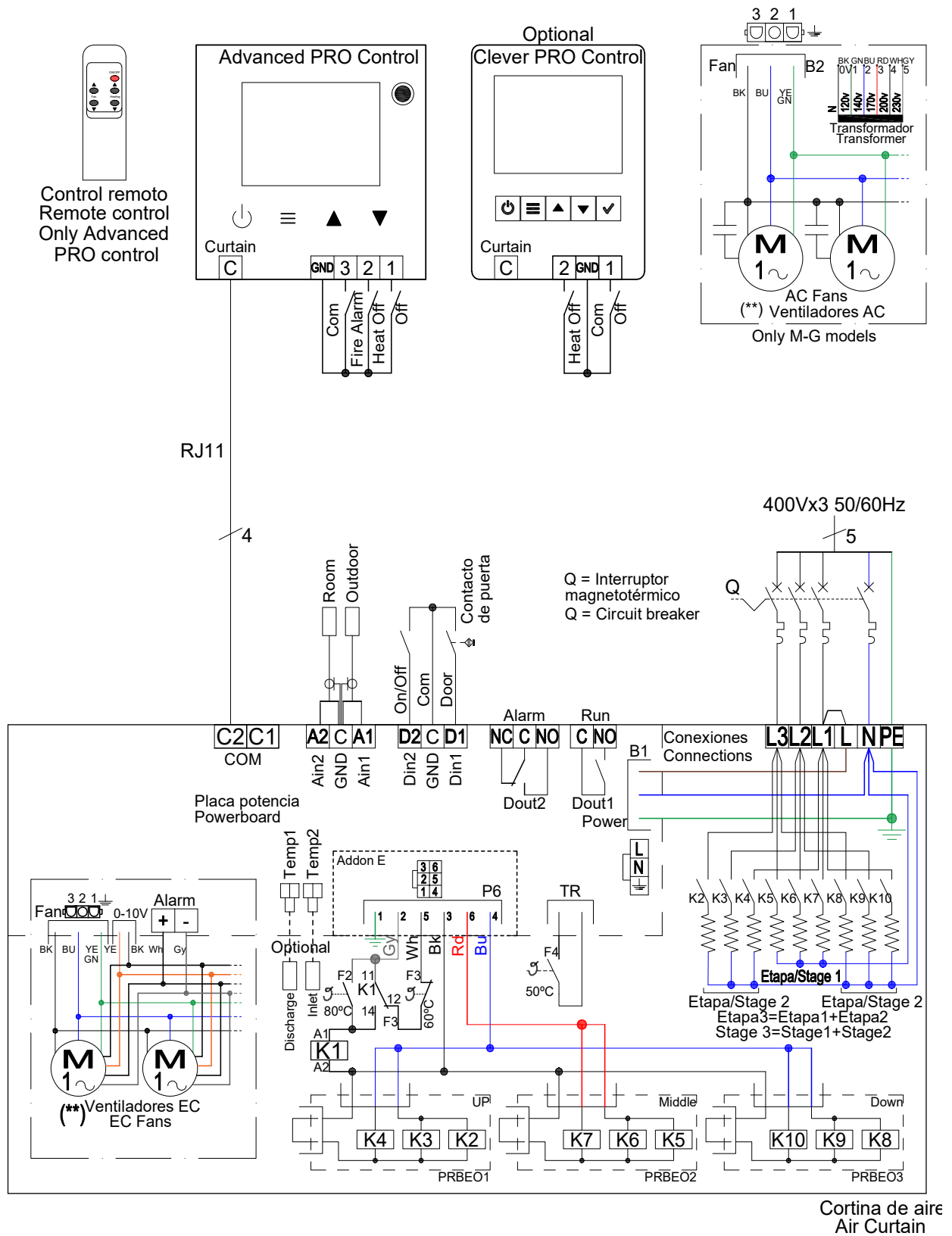
## Air curtain with water coil or only air (AIRDOE09080)



In case there is a need to connect the curtain to a PLC, the corresponding diagram is attached

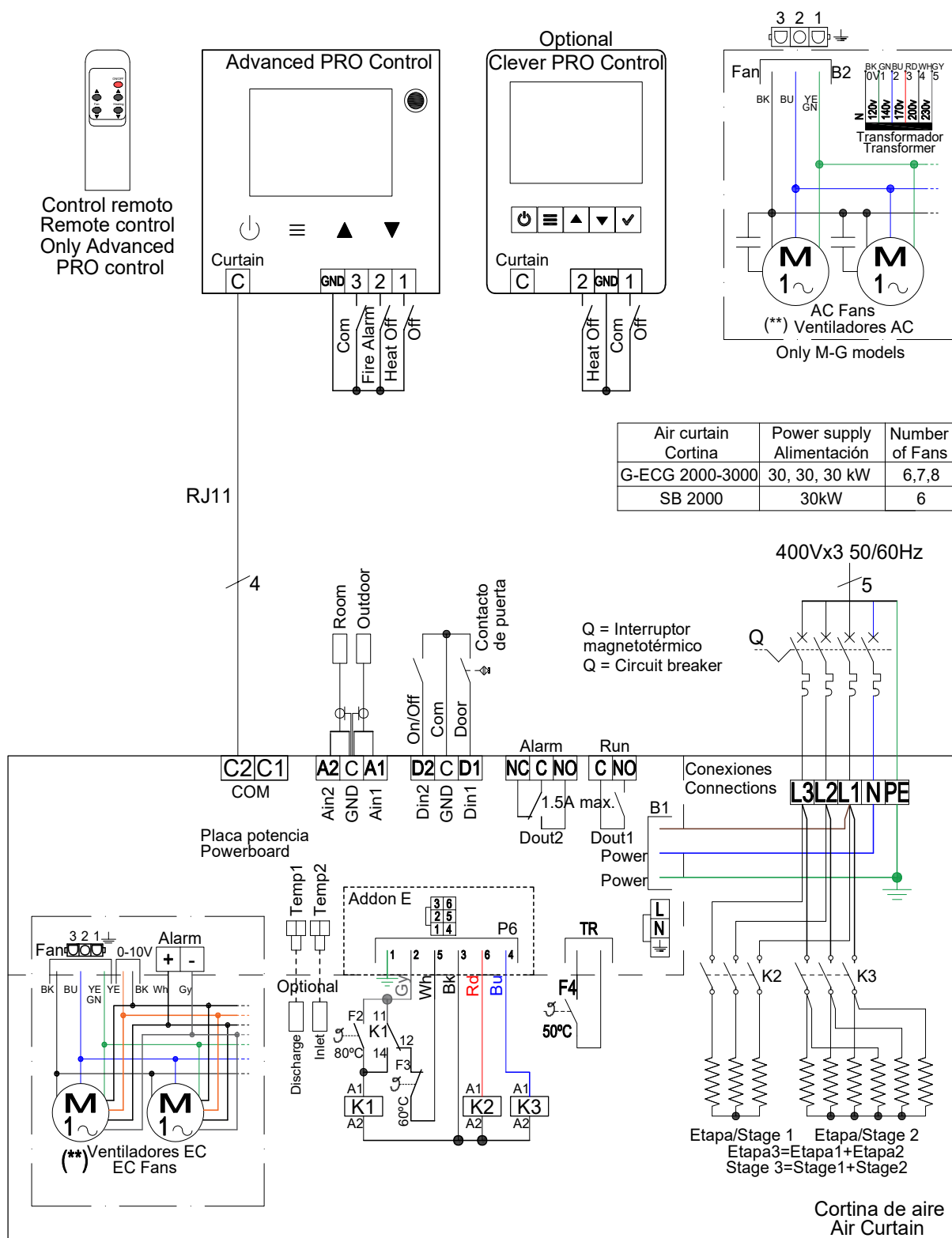


# Electrical heated air curtains M models and G, SB 1000-1500 models (AIRDOE09084)



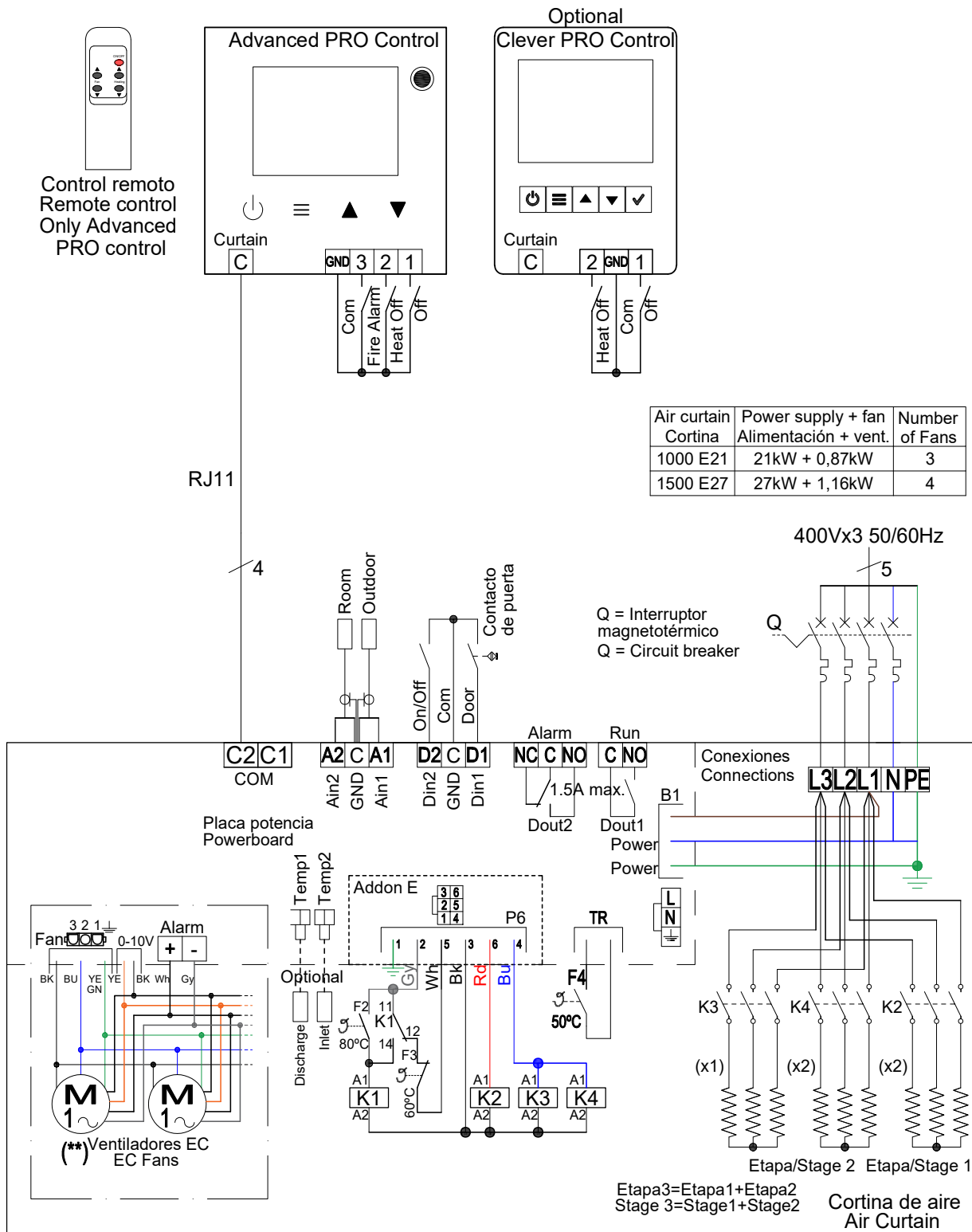
In case there is a need to connect the curtain to a PLC, the corresponding diagram is attached

# Electrical heated air curtain 400Vx3 for G 2000-3000, SB 2000 models (AIRDOE09085)



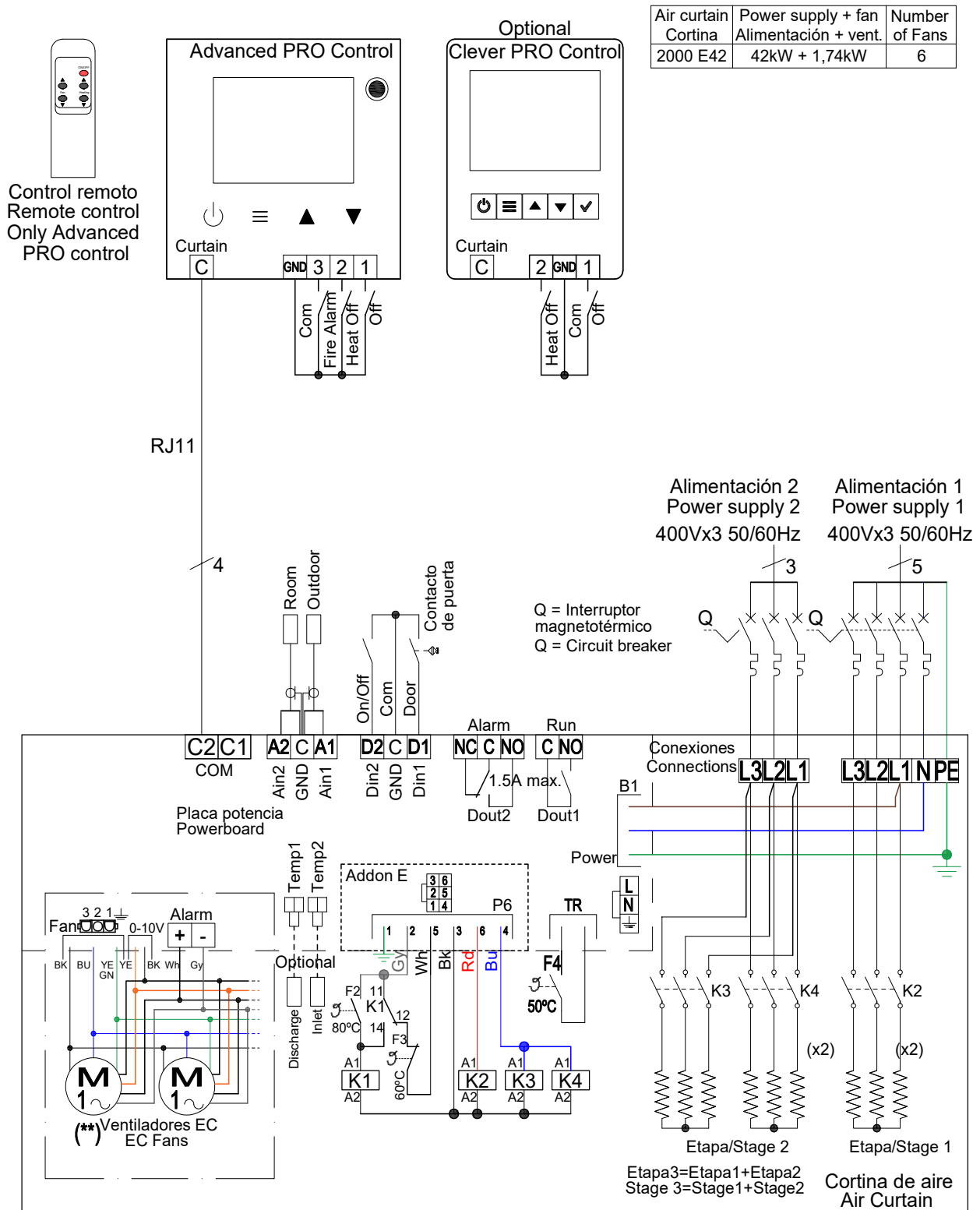
In case there is a need to connect the curtain to a PLC, the corresponding diagram is attached

## Electrical heated air curtain for BB 1000 and 1500 (AIRDOE09086)



In case there is a need to connect the curtain to a PLC, the corresponding diagram is attached

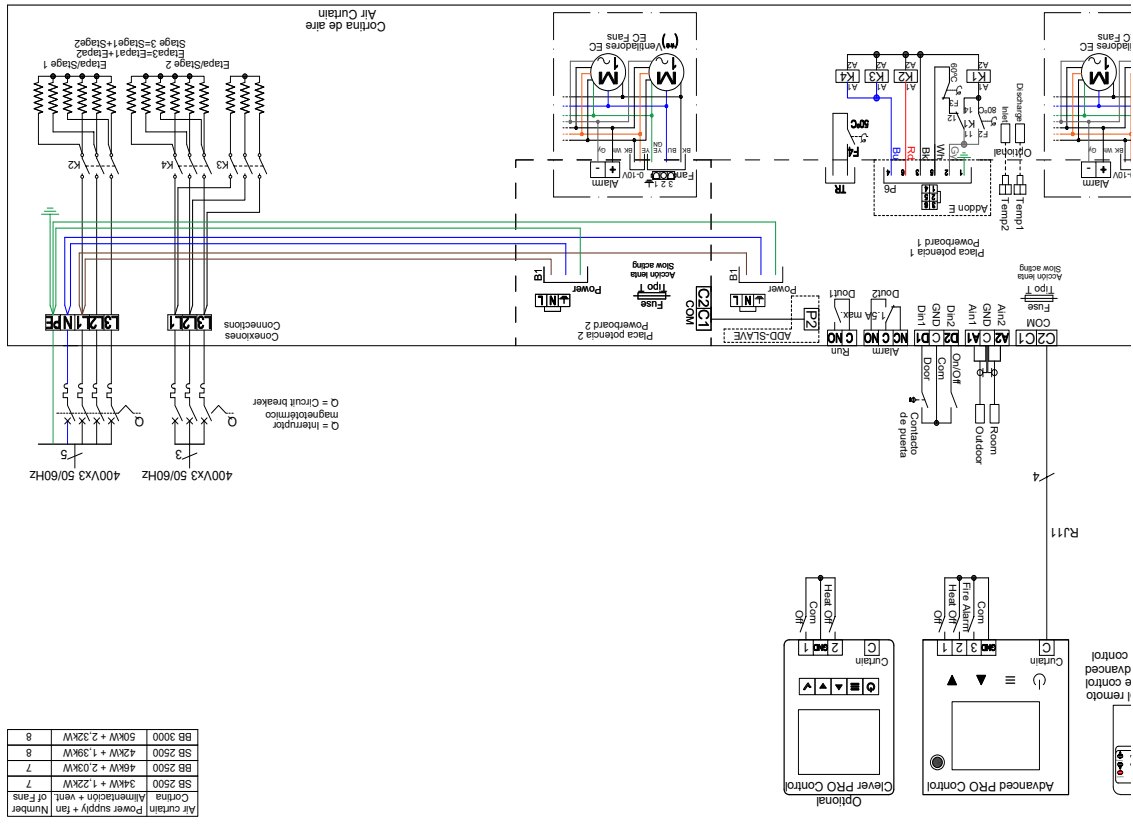
## Electrical heated air curtain for BB 2000 (AIRDOE09087)



In case there is a need to connect the curtain to a PLC, the corresponding diagram is attached

# Electrical heated air curtain for SB-BB 2500 and 3000 (AIRDOE09088)

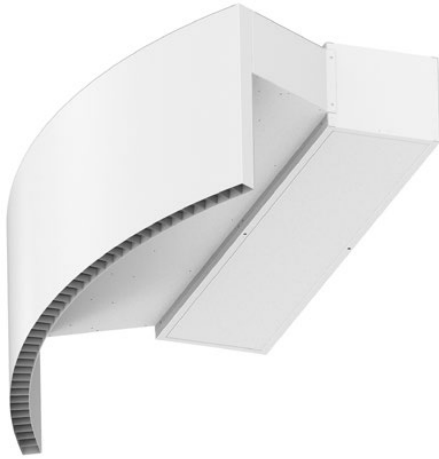
ESQUEMAS ELÉCTRICOS CORTINA DE AIRE VENTILADOR AC/EC  
 WIRING DIAGRAMS OF AIR CURTAIN AC/EC FANS  
 CONTRILHAS ELÉCTRICAS SB-2500-3000  
 ELECTRICAL CONTROLLER 5 SPEEDS SB-2500-3000  
 Doc. AIRDOE09088  
 Pág./Page 1 de/of 1  
 R02 - 12/05/25



In case there is a need to connect the curtain to a PLC, the corresponding diagram is attached



**Technical Features**



Maximum range  
**G : 4 m ECG : 4,2 m**



Airflow / Length  
**2250 - 6300 m³/h  
1 m to 2,5 m**



Fans  
**Centrifugal  
5-speed**



Heating types  
**E : electrical 3 stages  
P : water  
A : unheated  
DX : heat pump [\*]**



Heating capacity  
**E : 5 - 30 kW  
P : 10,4- 33,6 kW**



Control  
**Plug&Play Advanced PRO  
+ IR remote control  
(Optional Clever Control)**



Casing [\*\*]  
**Galvanised Steel**



Grille type  
**Rectangular perforated**



Outlet lamellas  
**Aluminium, airfoil type**

RAL 9016  
standard



Other colors  
on request



Stainless  
steel



[\*] Consult separate DX catalogs  
[\*\*] Each air curtainis tailor made

ROTOWIND air curtains are custom designed to fit perfectly with the curvature of any revolving door. They can be mounted discreetly in two possible layout configurations, with tailored dimensions: standard (on top mounting) or inverted (false ceiling mounting).

Self-supporting casing construction finished in white colour RAL9016 as standard. Other colours or stainless steel are available on request.

This air curtain model works with double-inlet centrifugal fans driven by an external rotor motor with low noise level. EC models assembled with very low consumption efficiency fans. With large perforated inlet grille avoiding intensive maintenance.

Advanced Plug&Play control. Includes: Advanced PRO control with LCD display and integrated thermostat, door contact, 7m RJ11 cable and remote control. Optional: intelligent Clever PRO Control (automatic, programmable, modbus for PLC, timer, etc).

**UNHEATED**

| Model           | Airflow<br>m³/h | Ventilation<br>power<br>230V~50Hz<br>kW | Ventilation<br>current<br>230V~50Hz<br>A | Noise<br>level<br>(5 m)<br>dB (A) | Weight<br>kg |
|-----------------|-----------------|---|--|-----------------------------------|--------------|
| ROTO G 1000 A   | 2400            | 0,642                                   | 2,85                                     | 57                                | -            |
| ROTO G 1500 A   | 3200            | 0,856                                   | 3,80                                     | 58                                | -            |
| ROTO G 2000 A   | 4800            | 1,284                                   | 5,70                                     | 59                                | -            |
| ROTO G 2500 A   | 5600            | 1,498                                   | 6,65                                     | 60                                | -            |
| ROTO ECG 1000 A | 2700            | 0,213                                   | 1,86                                     | 61                                | -            |
| ROTO ECG 1500 A | 3600            | 0,284                                   | 2,48                                     | 62                                | -            |
| ROTO ECG 2000 A | 5400            | 0,426                                   | 3,72                                     | 63                                | -            |
| ROTO ECG 2500 A | 6300            | 0,497                                   | 4,34                                     | 64                                | -            |



## ⚡ ELECTRIC HEATED

| Model           | Airflow | Electrical heating capacity<br>400Vx3~50Hz (*) | Ventilation power<br>230V~50Hz | Ventilation current<br>230V~50Hz | Noise level<br>(5 m) | Weight<br>kg |
|-----------------|---------|--|--------------------------------|----------------------------------|----------------------|--------------|
|                 | m³/h    | kW   | kW                             | A                                | dB(A)                |              |
| ROTO G 1000 E   | 2400    | 5/10/15  | 0,642                          | 2,85                             | 57                   | -            |
| ROTO G 1500 E   | 3200    | 7,5/15/22,5                                    | 0,856                          | 3,80                             | 58                   | -            |
| ROTO G 2000 E   | 4800    | 10/20/30                                       | 1,284                          | 5,70                             | 59                   | -            |
| ROTO G 2500 E   | 5600    | 10/20/30                                       | 1,498                          | 6,65                             | 60                   | -            |
| ROTO ECG 1000 E | 2700    | 5/10/15  | 0,213                          | 1,86                             | 61                   | -            |
| ROTO ECG 1500 E | 3600    | 7,5/15/22,5                                    | 0,284                          | 2,48                             | 62                   | -            |
| ROTO ECG 2000 E | 5400    | 10/20/30                                       | 0,426                          | 3,72                             | 63                   | -            |
| ROTO ECG 2500 E | 6300    | 10/20/30                                       | 0,497                          | 4,34                             | 64                   | -            |

(\*) Under request other electrical heating power can be limited.

## 💧 WATER HEATED

| Model           | Airflow<br>m³/h | P86 (80/60°C)                |                           | P64 (60/40°C)                |                           | P54 (50/40°C)                |                           | Ventilation power<br>230V~50Hz<br>kW | Ventilation current<br>230V~50Hz<br>A | Noise level<br>(5 m)<br>dB(A) | Weight<br>kg |
|-----------------|-----------------|------------------------------|---------------------------|------------------------------|---------------------------|------------------------------|---------------------------|--------------------------------------|---------------------------------------|-------------------------------|--------------|
|                 |                 | Water heating capacity<br>kW | Water pressure drop<br>Pa | Water heating capacity<br>kW | Water pressure drop<br>Pa | Water heating capacity<br>kW | Water pressure drop<br>Pa |                                      |                                       |                               |              |
| ROTO G 1000 P   | 2250            | 11,04                        | 1230                      | 10,42                        | 6190                      | 10,56                        | 1790                      | 0,642                                | 2,85                                  | 57                            | -            |
| ROTO G 1500 P   | 3000            | 16,02                        | 940                       | 15,47                        | 8020                      | 16,37                        | 5670                      | 0,856                                | 3,80                                  | 58                            | -            |
| ROTO G 2000 P   | 4500            | 24,92                        | 2700                      | 22,29                        | 6810                      | 23,15                        | 3030                      | 1,284                                | 5,70                                  | 59                            | -            |
| ROTO G 2500 P   | 5250            | 31,16                        | 4930                      | 26,61                        | 5060                      | 28,76                        | 5450                      | 1,498                                | 6,65                                  | 60                            | -            |
| ROTO ECG 1000 P | 2550            | 11,89                        | 1400                      | 11,27                        | 7110                      | 11,50                        | 2090                      | 0,213                                | 1,86                                  | 61                            | -            |
| ROTO ECG 1500 P | 3400            | 17,29                        | 1070                      | 16,77                        | 9240                      | 17,86                        | 6620                      | 0,284                                | 2,48                                  | 62                            | -            |
| ROTO ECG 2000 P | 5100            | 26,86                        | 3080                      | 24,14                        | 7850                      | 25,24                        | 3530                      | 0,426                                | 3,72                                  | 63                            | -            |
| ROTO ECG 2500 P | 5950            | 33,63                        | 5650                      | 28,84                        | 5840                      | 31,38                        | 6360                      | 0,497                                | 4,34                                  | 64                            | -            |

Water heated: connection pipes P86 and P64 are 2x3/4" female (male if lateral pipes), P54 2x1" male.  
P86 2 rows coil, P64 3 rows coil, P54 4 rows coil.



Selection program

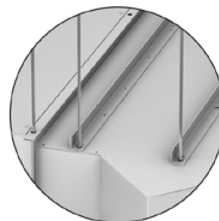


## Installation configurations

Standard: Above de door

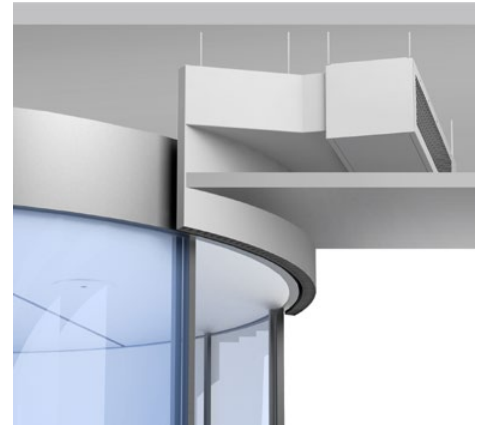


Mounted installation

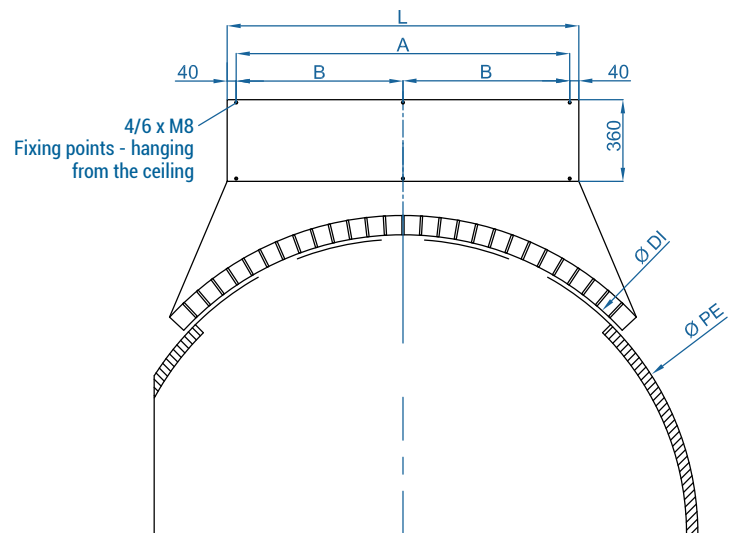
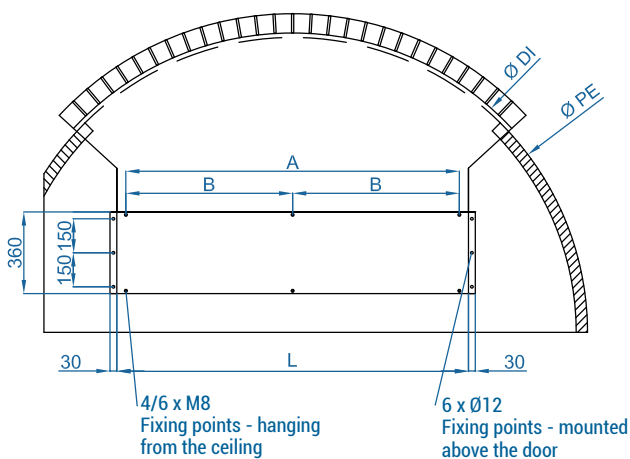
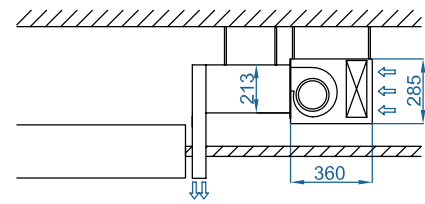
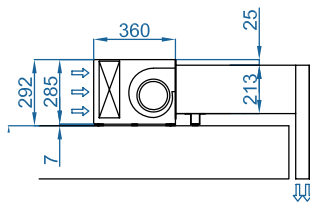


Hanging installation

Inverted: False ceiling mounting



## Dimensions



|           | L    | I    | A      |
|-----------|------|------|--------|
| ROTO 1000 | 1050 | 970  | -      |
| ROTO 1500 | 1550 | 1470 | 735    |
| ROTO 2000 | 2055 | 1975 | 987,5  |
| ROTO 2500 | 2555 | 2475 | 1237,5 |

|      |                        |
|------|------------------------|
| Ø DI | Inside Outlet Diameter |
| Ø PE | External Door Diameter |

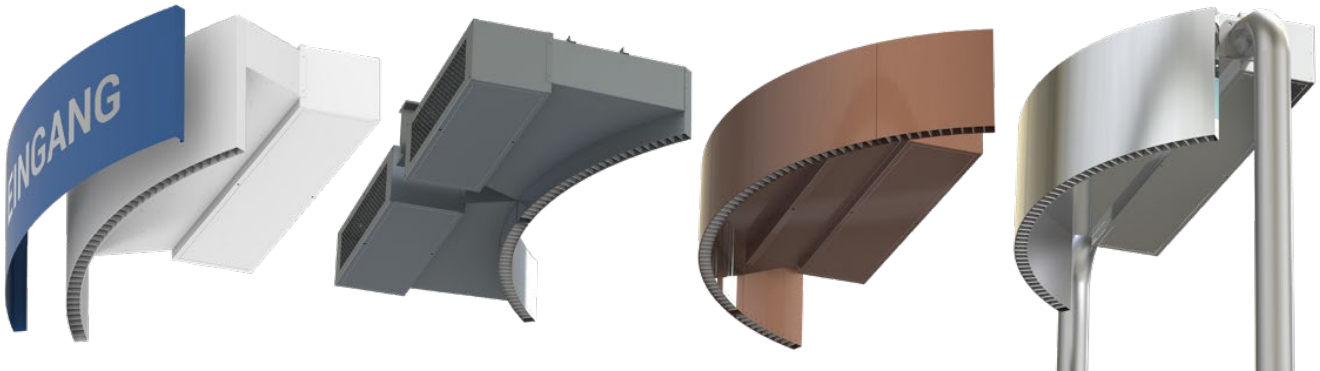
Customizable dimensions on request.



## Tailor made finishes

ROTOWIND can be customized in the same color or material as the revolving door to match the interior or exterior aesthetics of the building. Optionally, it can be ordered with a front decorative cover, which can be painted in a different color or finish. It can also be customized with logos, graphics or signage.

Multiple options available for accessories and supports to adapt to the installation requirements.



## Optional accessories

### Supports and installation



Decorative front cover  
(RAL Painted / SS)



Support angle  
(top mounting)  
✓ Included



Silentblock support  
(top mounting)  
✓ Included



Silentblock supports  
SPANG-SIL / SLB



Suspension cables  
SPCT



Round arm  
Rotowind

### Control



ADVANCED PRO  
✓ Included



IR Control  
✓ Included



RJ11 Cable  
✓ Included



CLEVER PRO

### Filters



Removable  
prefilter G2

### Sensors and valves



Magnetic  
door contact MAG-DC  
✓ Included



Mechanical  
door contact MEC-DC



External Temperature  
Sensor



Solenoid valve  
V-S



Valve 3 ways  
V-T



Proportional valve  
V-ACT



Anti-freezing sensor  
AFS-INS

### Condensation



Condensation tray



## Technical Features



RAL 9016 standard



Other colors on request



Stainless steel



Maximum range

**M : 3,5 m**  
**G : 4 m ECG : 4,2 m**



Airflow / Length

**1860 - 7200 m<sup>3</sup>/h**  
**1 m to 3 m**



Fans

**Centrifugal**  
**5-speed**



Heating types

**E : electrical 3 stages**  
**P : water**  
**A : unheated**  
**DX : heat pump [+]**



Heating capacity

**E : 3 - 30 kW**  
**P : 9,2 - 40,3 kW**



Control

**Plug&Play Advanced PRO**  
**+ IR remote control**  
**(Optional Clever Control)**



Casing [\*\*]

**Galvanised Steel**



Grille type

**Rectangular perforated**



Outlet lamellas

**Aluminium, airfoil type**  
**Adjustable 0-15° each side**

[+] Consult separate DX catalogs

[\*\*] Customizable dimensions on request

INVISAIR air curtain is designed to be installed invisibly in false ceilings and columns or drawers around the door. It is an ideal solution for those entrances that for architectural reasons require an air curtain installation that is fully integrated into the interior design of the building. It can be vertically or horizontally mounted.

The air flow of Invisair follows a straight line from the air inlet grille to the to the discharge. Inlet area inside a bulkhead or column should be designed with suitable grille provided by others.

This air curtain model works with double-inlet centrifugal fans driven by an external rotor motor with low noise level. EC models assembled with very low consumption efficiency fans.

Advanced Plug&Play control. Includes: Advanced PRO control with LCD display and integrated thermostat, door contact, 7m RJ11 cable and remote control. Optional: intelligent Clever PRO Control (automatic, programmable, modbus for PLC, timer, etc).

### \* UNHEATED

| Model       | Airflow           | Ventilation power | Ventilation current | Noise level    | Weight |
|-------------|-------------------|-------------------|---------------------|----------------|--------|
|             | m <sup>3</sup> /h | 230V~50Hz<br>kW   | 230V~50Hz<br>A      | (5 m)<br>dB(A) |        |
| IM 1000 A   | 1980              | 0,318             | 1,41                | 55             | 48     |
| IM 1500 A   | 2640              | 0,424             | 1,88                | 56             | 55     |
| IM 2000 A   | 3960              | 0,636             | 2,82                | 57             | 68     |
| IM 2500 A   | 4620              | 0,742             | 3,29                | 58             | 73     |
| IM 3000 A   | 5280              | 0,848             | 3,76                | 59             | 84     |
| IG 1000 A   | 2400              | 0,642             | 2,85                | 57             | 53     |
| IG 1500 A   | 3200              | 0,856             | 3,80                | 58             | 60     |
| IG 2000 A   | 4800              | 1,284             | 5,70                | 59             | 78     |
| IG 2500 A   | 5600              | 1,498             | 6,65                | 60             | 83     |
| IG 3000 A   | 6400              | 1,712             | 7,60                | 61             | 94     |
| IECG 1000 A | 2700              | 0,213             | 1,86                | 61             | 53     |
| IECG 1500 A | 3600              | 0,284             | 2,48                | 62             | 60     |
| IECG 2000 A | 5400              | 0,426             | 3,72                | 63             | 78     |
| IECG 2500 A | 6300              | 0,497             | 4,34                | 64             | 83     |
| IECG 3000 A | 7200              | 0,568             | 5,96                | 65             | 94     |



 ELECTRIC HEATED

| Model       | Airflow           | Electrical heating capacity<br>400Vx3~50Hz (*) | Ventilation power<br>230V~50Hz | Ventilation current<br>230V~50Hz | Noise level<br>(5 m) | Weight |
|-------------|-------------------|--|--------------------------------|----------------------------------|----------------------|--------|
|             | m <sup>3</sup> /h | kW   | kW                             | A                                | dB(A)                | kg     |
| IM 1000 E   | 1980              | 3/6/9  | 0,318                          | 1,41                             | 55                   | 58     |
| IM 1500 E   | 2640              | 4/8/12   | 0,424                          | 1,88                             | 56                   | 67     |
| IM 2000 E   | 3960              | 6/12/18  | 0,636                          | 2,82                             | 57                   | 86     |
| IM 2500 E   | 4620              | 6/12/18  | 0,742                          | 3,29                             | 58                   | 93     |
| IM 3000 E   | 5280              | 8/16/24  | 0,848                          | 3,76                             | 59                   | 108    |
| IG 1000 E   | 2400              | 5/10/15  | 0,642                          | 2,85                             | 57                   | 64     |
| IG 1500 E   | 3200              | 7,5/15/22,5                                    | 0,856                          | 3,80                             | 58                   | 73     |
| IG 2000 E   | 4800              | 10/20/30                                       | 1,284                          | 5,70                             | 59                   | 96     |
| IG 2500 E   | 5600              | 10/20/30                                       | 1,498                          | 6,65                             | 60                   | 103    |
| IG 3000 E   | 6400              | 10/20/30                                       | 1,712                          | 7,60                             | 61                   | 118    |
| IECG 1000 E | 2700              | 5/10/15  | 0,213                          | 1,86                             | 61                   | 64     |
| IECG 1500 E | 3600              | 7,5/15/22,5                                    | 0,284                          | 2,48                             | 62                   | 73     |
| IECG 2000 E | 5400              | 10/20/30                                       | 0,426                          | 3,72                             | 63                   | 96     |
| IECG 2500 E | 6300              | 10/20/30                                       | 0,497                          | 4,34                             | 64                   | 103    |
| IECG 3000 E | 7200              | 10/20/30                                       | 0,568                          | 5,96                             | 65                   | 118    |

(\*) Under request other electrical heating power can be limited.

 WATER HEATED

| Model       | Airflow<br>m <sup>3</sup> /h | P86 (80/60°C)                |                           | P64 (60/40°C)                |                           | P54 (50/40°C)                |                           | Ventilation power<br>230V~50Hz<br>kW | Ventilation current<br>230V~50Hz<br>A | Noise level<br>(5 m)<br>dB(A) | Weight<br>kg |
|-------------|------------------------------|------------------------------|---------------------------|------------------------------|---------------------------|------------------------------|---------------------------|--------------------------------------|---------------------------------------|-------------------------------|--------------|
|             |                              | Water heating capacity<br>kW | Water pressure drop<br>Pa | Water heating capacity<br>kW | Water pressure drop<br>Pa | Water heating capacity<br>kW | Water pressure drop<br>Pa |                                      |                                       |                               |              |
|             |                              | IM 1000 P                    | 1860                      | 9,84                         | 1000                      | 9,22                         | 4990                      |                                      |                                       |                               |              |
| IM 1500 P   | 2480                         | 14,23                        | 760                       | 13,65                        | 6430                      | -                            | -                         | 0,424                                | 1,88                                  | 56                            | 63           |
| IM 2000 P   | 3720                         | 22,17                        | 2190                      | 19,70                        | 5470                      | -                            | -                         | 0,636                                | 2,82                                  | 57                            | 78           |
| IM 2500 P   | 4340                         | 27,69                        | 4000                      | 23,48                        | 4060                      | -                            | -                         | 0,742                                | 3,29                                  | 58                            | 86           |
| IM 3000 P   | 4960                         | 33,15                        | 6560                      | 28,29                        | 6730                      | -                            | -                         | 0,848                                | 3,76                                  | 59                            | 100          |
| IG 1000 P   | 2250                         | 11,04                        | 1230                      | 10,42                        | 6190                      | 10,56                        | 1790                      | 0,642                                | 2,85                                  | 57                            | 60           |
| IG 1500 P   | 3000                         | 16,02                        | 940                       | 15,47                        | 8020                      | 16,37                        | 5670                      | 0,856                                | 3,80                                  | 58                            | 68           |
| IG 2000 P   | 4500                         | 24,92                        | 2700                      | 22,29                        | 6810                      | 23,15                        | 3030                      | 1,284                                | 5,70                                  | 59                            | 89           |
| IG 2500 P   | 5250                         | 31,16                        | 4930                      | 26,61                        | 5060                      | 28,76                        | 5450                      | 1,498                                | 6,65                                  | 60                            | 94           |
| IG 3000 P   | 6000                         | 37,35                        | 8110                      | 32,10                        | 8410                      | 34,03                        | 7180                      | 1,712                                | 7,60                                  | 61                            | 108          |
| IECG 1000 P | 2550                         | 11,89                        | 1400                      | 11,27                        | 7110                      | 11,50                        | 2090                      | 0,213                                | 1,86                                  | 54                            | 61           |
| IECG 1500 P | 3400                         | 17,29                        | 1070                      | 16,77                        | 9240                      | 17,86                        | 6620                      | 0,284                                | 2,48                                  | 62                            | 69           |
| IECG 2000 P | 5100                         | 26,86                        | 3080                      | 24,14                        | 7850                      | 25,24                        | 3530                      | 0,426                                | 3,72                                  | 63                            | 89           |
| IECG 2500 P | 5950                         | 33,63                        | 5650                      | 28,84                        | 5840                      | 31,38                        | 6360                      | 0,497                                | 4,34                                  | 64                            | 94           |
| IECG 3000 P | 6800                         | 40,34                        | 9290                      | 34,81                        | 9710                      | 37,16                        | 8400                      | 0,568                                | 5,96                                  | 65                            | 108          |

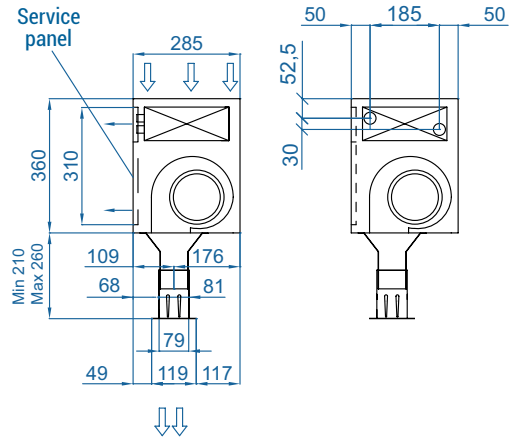
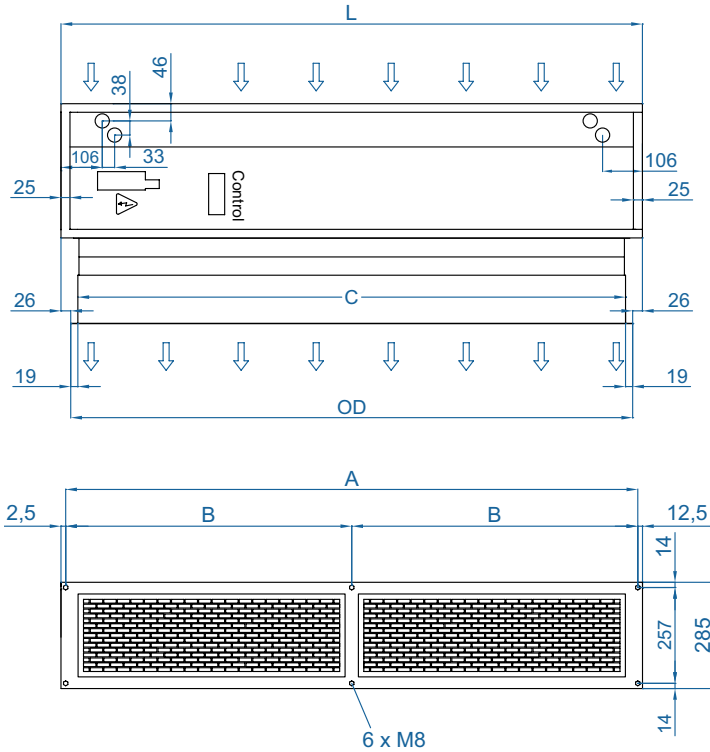
Water heated: connection pipes P86 and P64 are 2x3/4" female (male if lateral pipes), P54 2x1" male.  
P86 2 rows coil, P64 3 rows coil, P54 4 rows coil.





## Dimensions

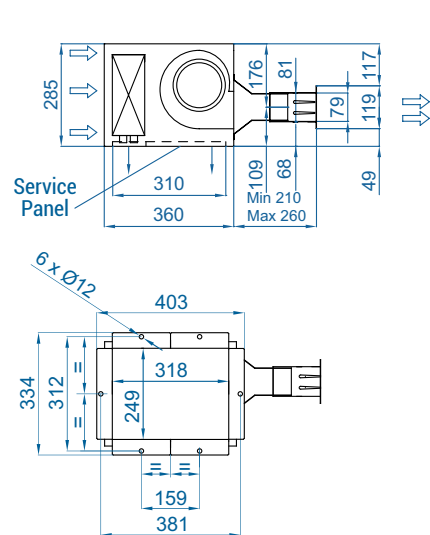
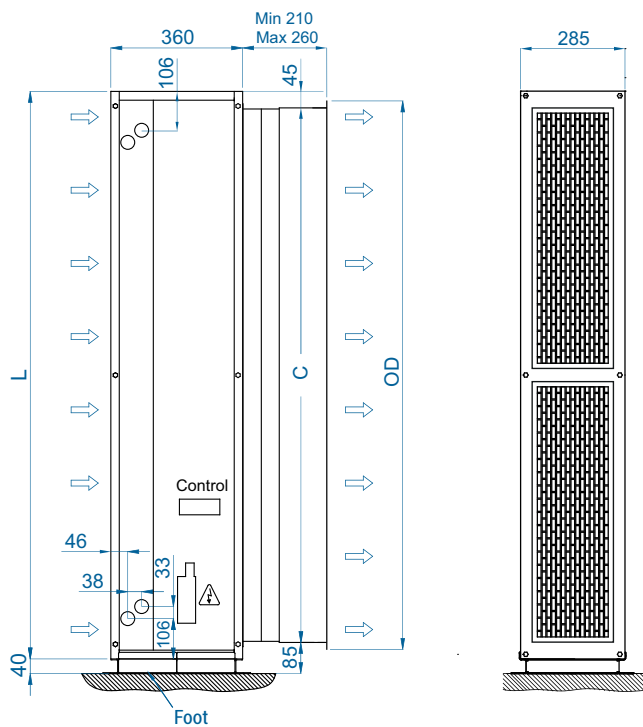
Horizontal installation



| Invisair | L    | A    | B      | C    | OD   |
|----------|------|------|--------|------|------|
| 1000     | 1050 | 1025 | .      | 961  | 998  |
| 1500     | 1550 | 1525 | 762,5  | 1461 | 1498 |
| 2000     | 2055 | 2030 | 1015   | 1961 | 1998 |
| 2500     | 2555 | 2530 | 1265   | 2461 | 2498 |
| 3000     | 3000 | 2975 | 1487,5 | 2961 | 2998 |

Customizable dimensions on request

Vertical installation

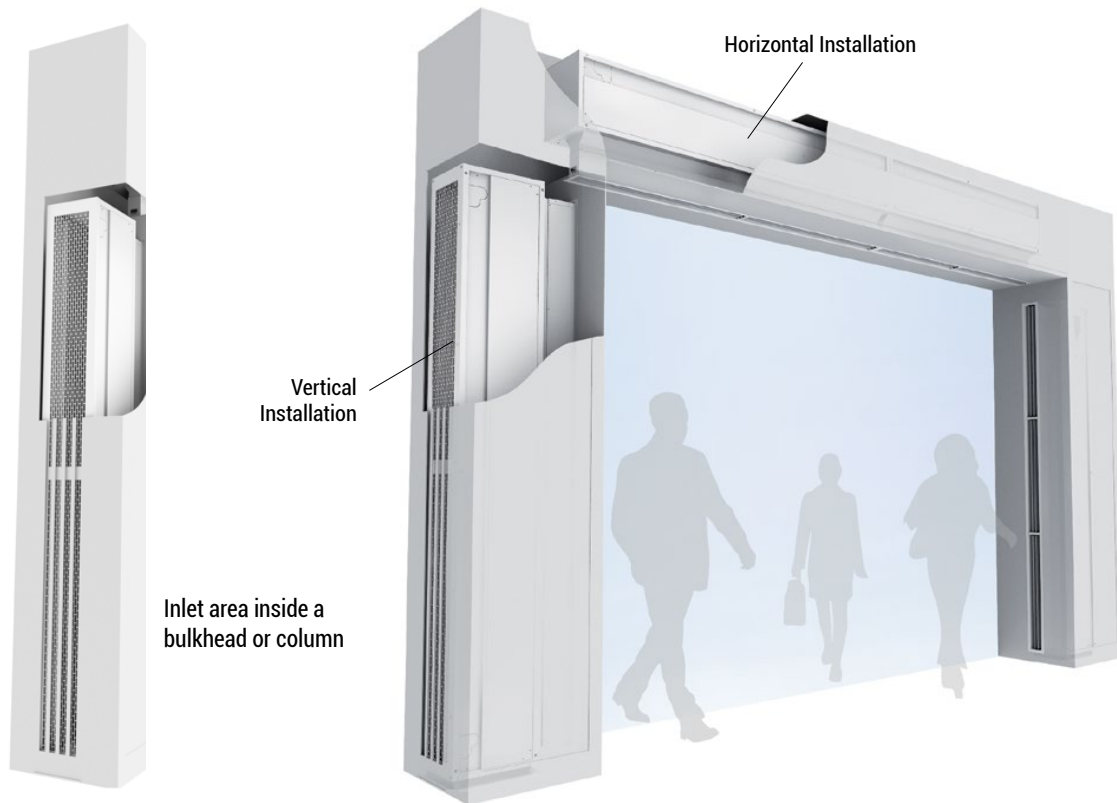


CAD drawings, BIM files, installation manuals and other documentation





## Installation configurations



## Optional accessories

### Supports and installation



Wall rail supports  
SPWR



Silentblock supports  
SPANG-SIL / SLB



Suspension cables  
SPCT



Wall angle support  
Invisair MG



Flat inlet grille



Foot support  
SPF-INVISAIR  
(Galv.)



Joining kit  
SPJ-INVISAIR  
(Galv.)

### Control



ADVANCED PRO  
✓ Included



IR Control  
✓ Included



RJ11 Cable  
✓ Included



CLEVER PRO

### Filters



Removable  
prefilter G2

### Sensors and valves



Magnetic  
door contact MAG-DC  
✓ Included



Mechanical  
door contact MEC-DC



External Temperature  
Sensor



Solenoid valve  
V-S



Valve 3 ways  
V-T



Proportional valve  
V-ACT



Anti-freezing sensor  
AFS-INS

### Condensation



Condensation tray



## Technical Features



Maximum range  
SB : 5 m BB : 7 m



Heating types  
E : electrical 3 stages  
P : water  
A : unheated  
DX : heat pump [\*]



Casing [\*\*]  
Galvanised Steel



Airflow / Length  
2910 - 9380 m<sup>3</sup>/h  
1 m to 2,5 m



Heating capacity  
E : 5 - 46 kW  
P : 12,4 - 45,8 kW



Grille type  
Rectangular perforated



Fans  
Centrifugal  
5-speed



Control  
Plug&Play Advanced PRO  
+ IR remote control  
(Optional Clever Control)



Outlet lamellas  
Aluminium, airfoil type  
Adjustable 0-15° each side

RAL 9016  
standard



Other colors  
on request



Stainless  
steel



[\*] Consult separate DX catalogs

[\*\*] Each air curtain is tailor made

ROTOWIND air curtains are custom designed to fit perfectly with the curvature of any revolving door. They can be mounted discreetly in two possible layout configurations, with tailored dimensions: standard (on top mounting) or inverted (false ceiling mounting).

Self-supporting casing construction finished in white colour RAL9016 as standard. Other colours or stainless steel are available on request. With large perforated inlet grille avoiding intensive maintenance.

This model works with the latest generation of double-inlet centrifugal high efficiency EC fans driven by an external rotor motor, with low noise level and very low consumption.

Advanced Plug&Play control. Includes: Advanced PRO control with LCD display and integrated thermostat, door contact, 7m RJ11 cable and remote control. Optional: intelligent Clever PRO Control (automatic, programmable, modbus for PLC, timer, etc).

### UNHEATED

| Model          | Airflow<br>m <sup>3</sup> /h | Ventilation<br>power<br>230V~50Hz<br>kW | Ventilation<br>current<br>230V~50Hz<br>A | Noise<br>level<br>(5 m)<br>dB(A) | Weight<br>kg |
|----------------|------------------------------|---|--|----------------------------------|--------------|
| ROTO SB 1000 A | 3060                         | 0,523                                   | 3,8                                      | 62                               | -            |
| ROTO SB 1500 A | 4080                         | 0,697                                   | 5,07                                     | 63                               | -            |
| ROTO SB 2000 A | 6120                         | 1,046                                   | 7,61                                     | 64                               | -            |
| ROTO SB 2500 A | 7140                         | 1,22                                    | 8,87                                     | 65                               | -            |
| ROTO BB 1000 A | 4020                         | 0,873                                   | 3,87                                     | 66                               | -            |
| ROTO BB 1500 A | 5360                         | 1,164                                   | 5,16                                     | 67                               | -            |
| ROTO BB 2000 A | 8040                         | 1,746                                   | 7,74                                     | 68                               | -            |
| ROTO BB 2500 A | 9380                         | 2,037                                   | 9,03                                     | 69                               | -            |



## ⚡ ELECTRIC HEATED

| Model          | Airflow           | Electrical heating capacity<br>400Vx3~50Hz (*) | Ventilation power<br>230V-50Hz | Ventilation current<br>230V-50Hz | Noise level<br>(5 m) | Weight<br>kg |
|----------------|-------------------|--|--------------------------------|----------------------------------|----------------------|--------------|
|                | m <sup>3</sup> /h | kW   | kW                             | A                                | dB(A)                |              |
| ROTO SB 1000 E | 3060              | 5/10/15  | 0,523                          | 3,8                              | 62                   | -            |
| ROTO SB 1500 E | 4080              | 7,5/15/22,5                                    | 0,697                          | 5,07                             | 63                   | -            |
| ROTO SB 2000 E | 6120              | 10/20/30                                       | 1,046                          | 7,61                             | 64                   | -            |
| ROTO SB 2500 E | 7140              | 12/22/34 (**)                                  | 1,22                           | 8,87                             | 65                   | -            |
| ROTO BB 1000 E | 4020              | 6/10/21  | 0,873                          | 3,87                             | 66                   | -            |
| ROTO BB 1500 E | 5360              | 8/19/27  | 1,164                          | 5,16                             | 67                   | -            |
| ROTO BB 2000 E | 8040              | 12/30/42 (**)                                  | 1,746                          | 7,74                             | 68                   | -            |
| ROTO BB 2500 E | 9380              | 16/30/46 (**)                                  | 2,037                          | 9,03                             | 69                   | -            |

(\*) Under request other electrical heating power can be limited.

(\*\*) 2 separated power supplies.

## 💧 WATER HEATED

| Model          | Airflow<br>m <sup>3</sup> /h | P86 (80/60°C)                |                           | P64 (60/40°C)                |                           | P54 (50/40°C)                |                           | Ventilation power<br>230V~50Hz<br>kW | Ventilation current<br>230V~50Hz<br>A | Noise level<br>(5 m)<br>dB(A) | Weight<br>kg |
|----------------|------------------------------|------------------------------|---------------------------|------------------------------|---------------------------|------------------------------|---------------------------|--------------------------------------|---------------------------------------|-------------------------------|--------------|
|                |                              | Water heating capacity<br>kW | Water pressure drop<br>Pa | Water heating capacity<br>kW | Water pressure drop<br>Pa | Water heating capacity<br>kW | Water pressure drop<br>Pa |                                      |                                       |                               |              |
|                |                              | ROTO SB 1000 P               | 2910                      | 15,58                        | 8280                      | 12,44                        | 8640                      |                                      |                                       |                               |              |
| ROTO SB 1500 P | 3880                         | 19,71                        | 630                       | 18,55                        | 5840                      | 21,19                        | 12380                     | 0,697                                | 5,07                                  | 63                            | -            |
| ROTO SB 2000 P | 5820                         | 31                           | 1860                      | 22,84                        | 3860                      | 30,77                        | 10270                     | 1,046                                | 7,61                                  | 64                            | -            |
| ROTO SB 2500 P | 6790                         | 38,97                        | 3440                      | 31,79                        | 7160                      | 36,94                        | 9570                      | 1,22                                 | 8,87                                  | 65                            | -            |
| ROTO BB 1000 P | 3750                         | 18,21                        | 15190                     | 15,16                        | 16190                     | 16,48                        | 12180                     | 0,873                                | 3,87                                  | 65                            | -            |
| ROTO BB 1500 P | 5000                         | 23,52                        | 1200                      | 21,87                        | 10990                     | 24,15                        | 15260                     | 1,164                                | 5,16                                  | 66                            | -            |
| ROTO BB 2000 P | 7500                         | 36,57                        | 3470                      | 31,13                        | 7350                      | 35,04                        | 12680                     | 1,746                                | 7,74                                  | 67                            | -            |
| ROTO BB 2500 P | 8750                         | 45,78                        | 6370                      | 38,96                        | 13420                     | 42,12                        | 11880                     | 2,037                                | 9,03                                  | 68                            | -            |

### Water heated:

P86, P64 2x1", P54 1500-2000 2x1" and 2500 2x1¼".

Connection pipes P86, P64 and P54 are male.

P86 2 rows coil, P64 3 rows coil, P54 4 rows coil.



Selection program

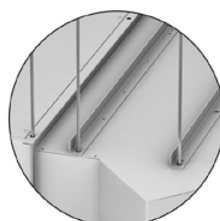


## Installation configurations

Standard: Above the door

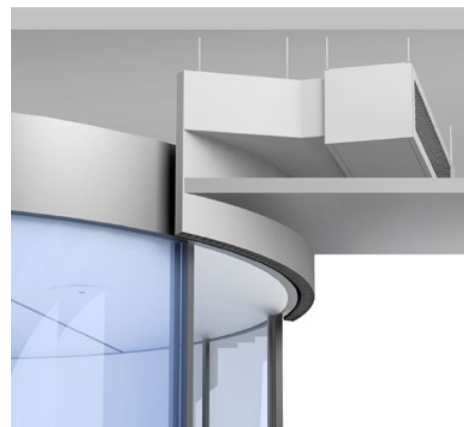


Mounted installation

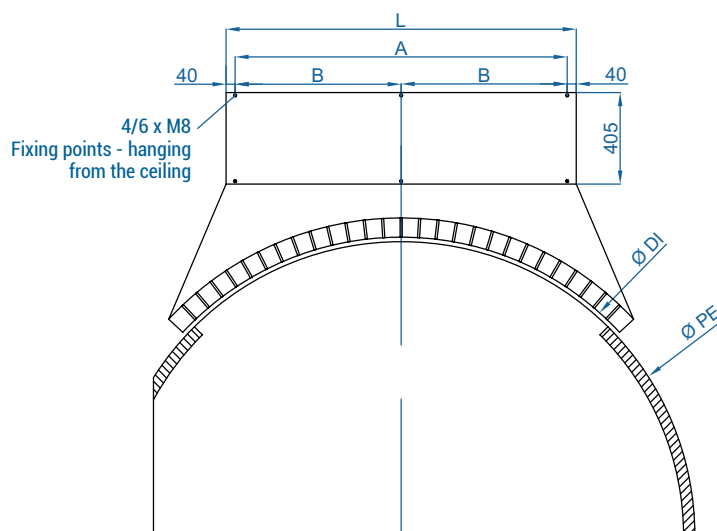
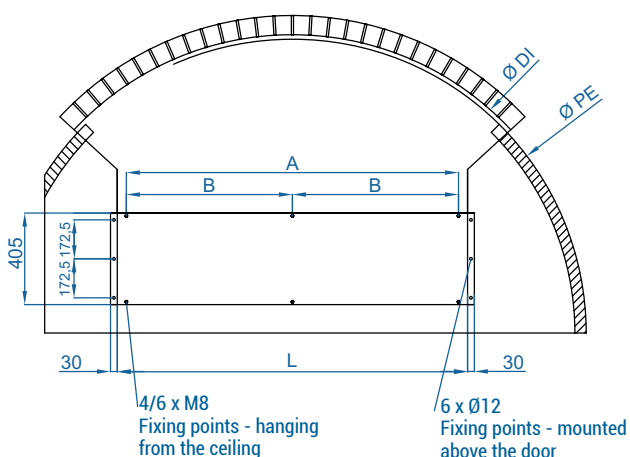
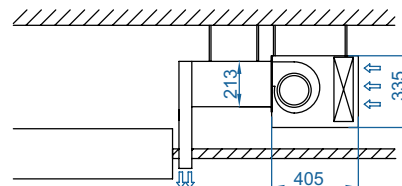
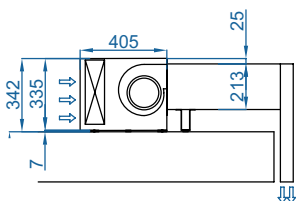


Hanging installation

Inverted: False ceiling mounting



## Dimensions



|                 | L    | I    | A      |
|-----------------|------|------|--------|
| ROTO SB-BB 1000 | 1050 | 970  | -      |
| ROTO SB-BB 1500 | 1550 | 1470 | 735    |
| ROTO SB-BB 2000 | 2055 | 1975 | 987,5  |
| ROTO SB-BB 2500 | 2555 | 2475 | 1237,5 |

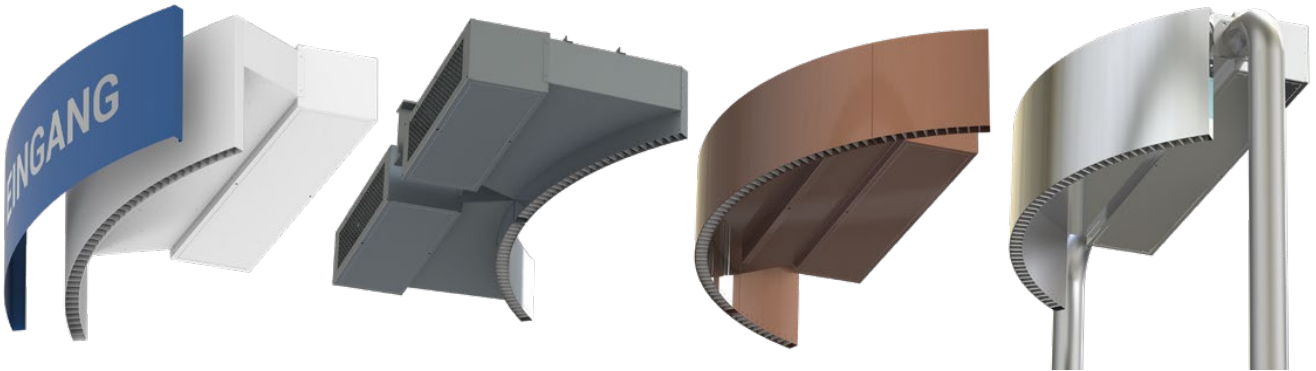
|      |                        |
|------|------------------------|
| Ø DI | Inside Outlet Diameter |
| Ø PE | External Door Diameter |

Customizable dimensions on request.



## Tailor made finishes

ROTOWIND can be customized in the same color or material as the revolving door to match the interior or exterior aesthetics of the building. Optionally, it can be ordered with a front decorative cover, which can be painted in a different color or finish. It can also be customized with logos, graphics or signage. Multiple options available for accessories and supports to adapt to the installation requirements.



## Optional accessories

### Supports and installation



Decorative front cover  
(RAL Painted / SS)



Support angle  
(top mounting)  
✓ Included



Silentblock support  
(top mounting)  
✓ Included



Silentblock supports  
SPANG-SIL / SLB



Suspension cables  
SPCT



Round arm

### Control



ADVANCED PRO  
✓ Included



IR Control  
✓ Included



RJ11 Cable  
✓ Included



CLEVER PRO

### Filters



Removable  
prefilter G2

### Sensors and valves



Magnetic door contact  
MAG-DC  
✓ Included



Mechanical door contact  
MEG-DC



External Temperature  
Sensor



Solenoid valve  
V-S



Valve 3 ways  
V-T



Proportional valve  
V-ACT



Anti-freezing sensor  
AFS-INS



### Technical Features



RAL 9016  
standard



Other colors  
on request



Maximum range  
SB : 5 m BB : 7 m



Heating types  
E : electrical 3 stages  
P : water  
A : unheated  
DX : heat pump [\*]



Casing [\*\*]  
Galvanised Steel



Airflow / Length  
2910 - 10720 m<sup>3</sup>/h  
1 m to 3 m



Heating capacity  
E : 5 - 50 kW  
P : 12,4 - 55,0 kW



Grille type  
Rectangular perforated



Fans  
Centrifugal  
5-speed



Control  
Plug&Play Advanced PRO  
+ IR remote control  
(Optional Clever Control)



Outlet lamellas  
Aluminium, airfoil type  
Adjustable 0-15° each side

[\*] Consult separate DX catalogs

[\*\*] Customizable dimensions on request

INVISAIR SB-BB air curtain is designed to be installed invisibly in false ceilings and columns or drawers around the door. It is an ideal solution for those entrances that for architectural reasons require an air curtain installation that is fully integrated into the interior design of the building. BB model has been designed with the latest generation of EC efficiency fans and provides a power and performance equivalent to an industrial air curtain, with very low consumption and low noise level.

Advanced Plug&Play control. Includes: Advanced PRO control with LCD display and integrated thermostat, door contact, 7m RJ11 cable and remote control. Optional: intelligent Clever PRO Control (automatic, programmable, modbus for PLC, timer, etc).

#### ❄ UNHEATED

| Model      | Airflow<br>m <sup>3</sup> /h | Ventilation<br>power<br>230V~50Hz<br>kW | Ventilation<br>current<br>230V~50Hz<br>A | Noise<br>level<br>(5 m)<br>dB(A) | Weight<br>kg |
|------------|------------------------------|---|--|----------------------------------|--------------|
| ISB 1000 A | 3060                         | 0,523                                   | 3,8                                      | 62                               | 44           |
| ISB 1500 A | 4080                         | 0,697                                   | 5,07                                     | 63                               | 64           |
| ISB 2000 A | 6120                         | 1,046                                   | 7,61                                     | 64                               | 85           |
| ISB 2500 A | 7140                         | 1,22                                    | 8,87                                     | 65                               | 93           |
| ISB 3000 A | 8160                         | 1,395                                   | 10,14                                    | 66                               | 112          |
| IBB 1000 A | 4020                         | 0,873                                   | 3,87                                     | 66                               | 46           |
| IBB 1500 A | 5360                         | 1,164                                   | 5,16                                     | 67                               | 66           |
| IBB 2000 A | 8040                         | 1,746                                   | 7,74                                     | 68                               | 88           |
| IBB 2500 A | 9380                         | 2,037                                   | 9,03                                     | 69                               | 97           |
| IBB 3000 A | 10720                        | 2,328                                   | 10,32                                    | 70                               | 116          |



### ⚡ ELECTRIC HEATED

| Model      | Airflow | Electrical heating capacity<br>400Vx3~50Hz (*) | Ventilation power<br>230V~50Hz | Ventilation current<br>230V~50Hz | Noise level<br>(5 m) | Weight<br>kg |
|------------|---------|--|--------------------------------|----------------------------------|----------------------|--------------|
|            | m³/h    | kW   | kW                             | A                                | dB(A)                |              |
| ISB 1000 E | 3060    | 5/10/15  | 0,523                          | 3,8                              | 62                   | 56           |
| ISB 1500 E | 4080    | 7,5/15/22,5                                    | 0,697                          | 5,07                             | 63                   | 81           |
| ISB 2000 E | 6120    | 10/20/30                                       | 1,046                          | 7,61                             | 64                   | 109          |
| ISB 2500 E | 7140    | 12/22/34 (**)                                  | 1,22                           | 8,87                             | 65                   | 121          |
| ISB 3000 E | 8160    | 16/26/42 (**)                                  | 1,395                          | 10,14                            | 66                   | 144          |
| IBB 1000 E | 4020    | 6/15/21  | 0,873                          | 3,87                             | 66                   | 58           |
| IBB 1500 E | 5360    | 8/19/27  | 1,164                          | 5,16                             | 67                   | 83           |
| IBB 2000 E | 8040    | 12/30/42 (**)                                  | 1,746                          | 7,74                             | 68                   | 112          |
| IBB 2500 E | 9380    | 16/30/46 (**)                                  | 2,037                          | 9,03                             | 69                   | 125          |
| IBB 3000 E | 10720   | 20/30/50 (**)                                  | 2,328                          | 10,32                            | 70                   | 148          |

(\*) Under request other electrical heating power can be limited.

(\*\*) 2 separated power supplies.

### 💧 WATER HEATED

| Model      | Airflow<br>m³/h | P86 (80/60°C)                |                           | P64 (60/40°C)                |                           | P54 (50/40°C)                |                           | Ventilation power<br>230V~50Hz<br>kW | Ventilation current<br>230V~50Hz<br>A | Noise level<br>(5 m)<br>dB(A) | Weight<br>kg |
|------------|-----------------|------------------------------|---------------------------|------------------------------|---------------------------|------------------------------|---------------------------|--------------------------------------|---------------------------------------|-------------------------------|--------------|
|            |                 | Water heating capacity<br>kW | Water pressure drop<br>Pa | Water heating capacity<br>kW | Water pressure drop<br>Pa | Water heating capacity<br>kW | Water pressure drop<br>Pa |                                      |                                       |                               |              |
| ISB 1000 P | 2910            | 15,58                        | 8280                      | 12,44                        | 8640                      | 14,47                        | 9820                      | 0,523                                | 3,8                                   | 62                            | 54           |
| ISB 1500 P | 3880            | 19,71                        | 630                       | 18,55                        | 5840                      | 21,19                        | 12380                     | 0,697                                | 5,07                                  | 63                            | 78           |
| ISB 2000 P | 5820            | 31                           | 1860                      | 22,84                        | 3860                      | 30,77                        | 10270                     | 1,046                                | 7,61                                  | 64                            | 99           |
| ISB 2500 P | 6790            | 38,97                        | 3440                      | 31,79                        | 7160                      | 36,94                        | 9570                      | 1,22                                 | 8,87                                  | 65                            | 115          |
| ISB 3000 P | 7760            | 46,94                        | 5710                      | 38,31                        | 5970                      | 42,6                         | 6520                      | 1,395                                | 10,14                                 | 66                            | 139          |
| IBB 1000 P | 3750            | 18,21                        | 15190                     | 15,16                        | 16190                     | 16,48                        | 12180                     | 0,873                                | 3,87                                  | 65                            | 56           |
| IBB 1500 P | 5000            | 23,52                        | 1200                      | 21,87                        | 10990                     | 24,15                        | 15260                     | 1,164                                | 5,16                                  | 66                            | 80           |
| IBB 2000 P | 7500            | 36,57                        | 3470                      | 31,13                        | 7350                      | 35,04                        | 12680                     | 1,746                                | 7,74                                  | 67                            | 102          |
| IBB 2500 P | 8750            | 45,78                        | 6370                      | 38,96                        | 13420                     | 42,12                        | 11880                     | 2,037                                | 9,03                                  | 68                            | 119          |
| IBB 3000 P | 10000           | 55,04                        | 10570                     | 45,49                        | 11230                     | 49,27                        | 10920                     | 2,328                                | 10,32                                 | 69                            | 143          |

Water heated:

P86, P64 2x1", P54 1000-2000 2x1" and 2500-3000 2x1¼".

Connection pipes P86, P64 and P54 are male.

P86 2 rows coil, P64 3 rows coil, P54 4 rows coil.

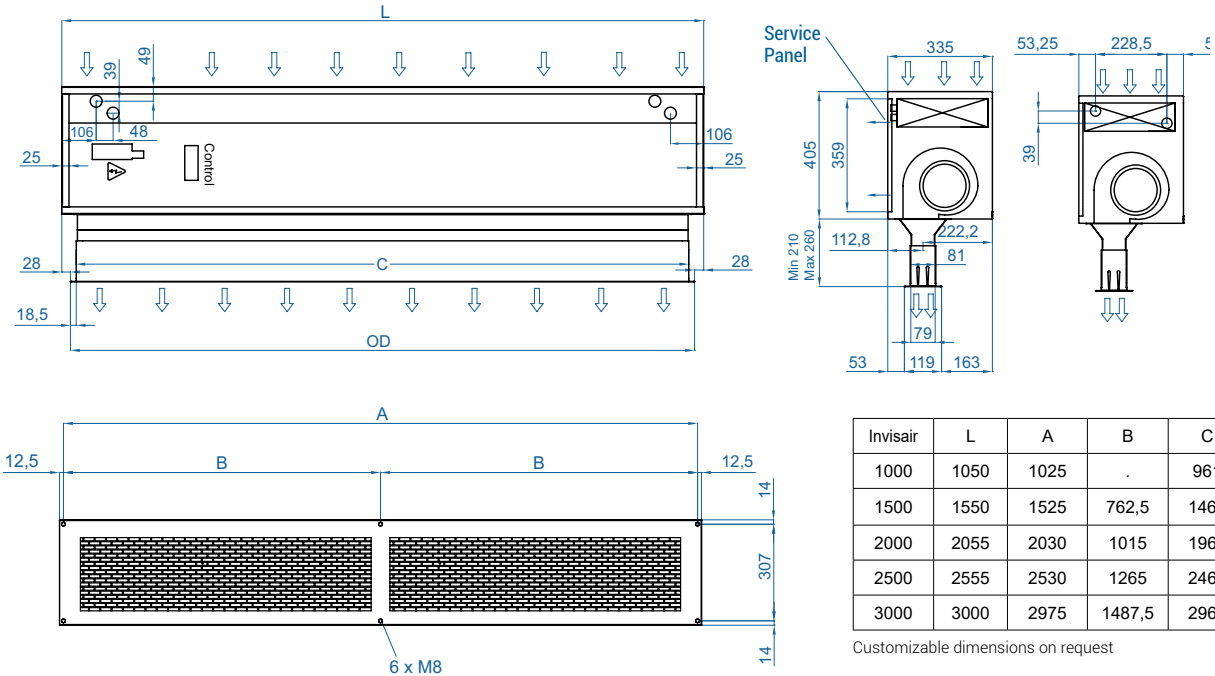


Selection program

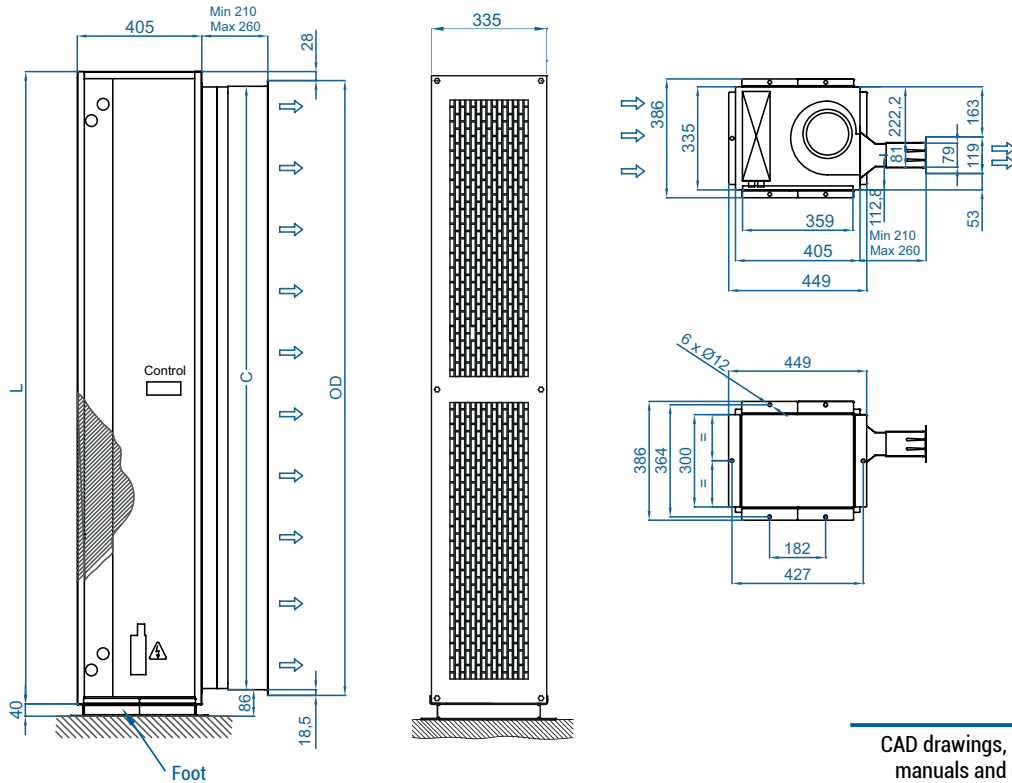


## Dimensions

### Horizontal installation



### Vertical installation

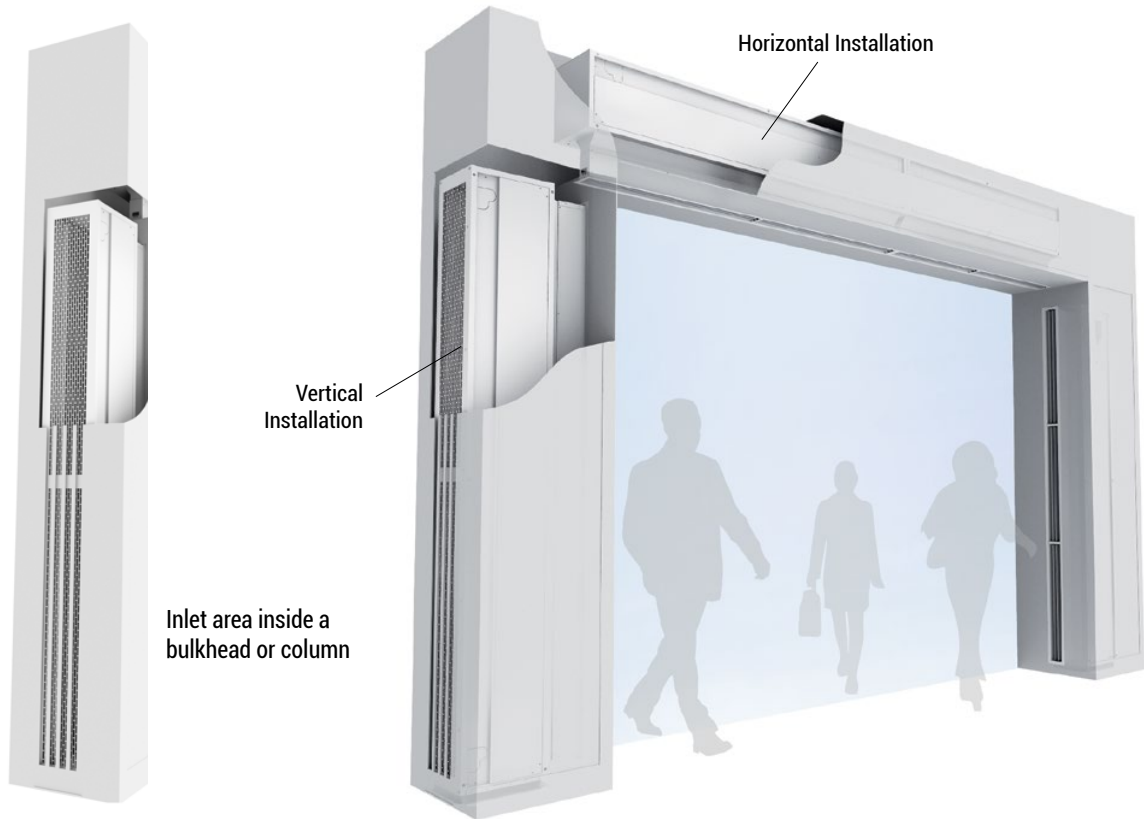


CAD drawings, BIM files, installation manuals and other documentation





## Installation configurations



## Optional accessories

### Supports and installation



Wall rail supports  
SPWR



Silentblock supports  
SPANG-SIL / SLB



Suspension cables  
SPCT



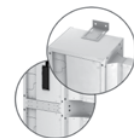
Wall angle support  
Invisair BB



Flat inlet grille



Foot support  
SPF-INVISAIR BB  
(Galv.)



Joining kit  
SPJ-INVISAIR BB  
(Galv.)

### Control



ADVANCED PRO  
✓ Included



IR Control  
✓ Included



RJ11 Cable  
✓ Included



CLEVER PRO

### Filters



Removable  
prefilter G2

### Sensors and valves



Magnetic  
door contact MAG-DC  
✓ Included



Mechanical  
door contact MEC-DC



External Temperature  
Sensor



Solenoid valve  
V-S



Valve 3 ways  
V-T







Proportional valve  
V-ACT



Anti-freezing sensor  
AFS-INS

## MAINTENANCE INSTRUCTIONS

|  |  |
|--|--|
|   | For safety, before cleaning, stop the curtain through the controller and disconnect the device from the current.                                   |
| <br> | Do not open the service door (risk of electric shock and entrapment in the fans). Repairs must be carried out exclusively by authorized personnel. |
|   | The inside of the device must not be cleaned with water or steam.  |

### Indicative periodicity of maintenance

| N° Action | Action                           | Frequency  |
|-----------|----------------------------------|--|
| 1         | Cleaning of the suction grill    | 2 weeks (microperforated) / 4 weeks (perforated)*    |
| 2         | Exterior cleaning                | Annual   |
| 3         | Interior cleaning                | Half yearly (perforated) / Yearly (microperforated)  |
| 4         | Internal inspection              | Annual (depending on functioning, installation, etc) |
| 5         | Consumption and auditory control | Annual (depending on functioning, installation, etc) |
| 6         | Water heating maintenance        | Half yearly (quarterly recommended)                  |
| 7         | Electrical heating maintenance   | Half yearly (quarterly recommended)                  |

\*+/- 1 week if it is a polluted ambient, automatic door, always open or exterior vs interior installation

### Inlet grille cleaning

The suction grill prevents the entry of objects into the internal elements. It is a good idea to periodically check that the suction grille is free of any object that could prevent air from entering (plastic bags, paper, etc.). If you have a microperforated suction grille (it acts as a pre-filter and prevents dust from entering the internal elements), use a vacuum cleaner with a brush so as not to damage the microperforated grille. It is advisable to do it frequently (depending on the amount of dirt generated), since the performance of the curtain is considerably reduced.

It is recommended to clean the suction grill monthly. In addition, it is important to make sure that the air curtain is off, otherwise the mixture between the dust and a damp cloth would form a paste of dirt that could damage the fan rotor when it sucks in the air or clog the water coil. An annual cleaning of the discharge area must be carried out.



## Exterior cleaning

Wipe the entire outer surface of the air curtain (except the suction grille) with a damp cloth to trap dust particles. In addition to the damp cloth, neutral soaps that do not contain acids or are caustic can be used.



## Interior cleaning

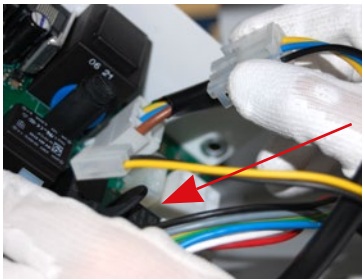
It is recommended to clean the inside of the unit with a vacuum cleaner at least once every 2 years. (\*) It is recommended to clean the inside of the equipment frequently with the help of a vacuum cleaner, especially before the arrival of winter. (\*)

(\*) These periods are indicative depending on the conditions of each installation. In places with a high number of suspended particles, it is desirable to increase the frequency of interior cleaning.



## Internal components visual inspection

Check that the regulation board(s) have not suffered any damage and that they are securely fastened to the equipment frame. Make sure that the board and internal wiring connectors are still well connected. Check that the fans do not move from their mountings and check that the turbines have no impediments to rotate freely (turn it by hand, first turn off the device).



## Air curtain consumption and auditory control checking

Write down the consumption value of the fans that appears on the product label (located on the inside of the service door). Give power to the curtain and with the help of an ammeter, check that the electrical consumption of the curtain at maximum speed is between 110% and 85% of the value indicated on the label. Check that all fans blow air. Keep the curtain at full speed for a few minutes and listen for abnormal noises from the curtain.

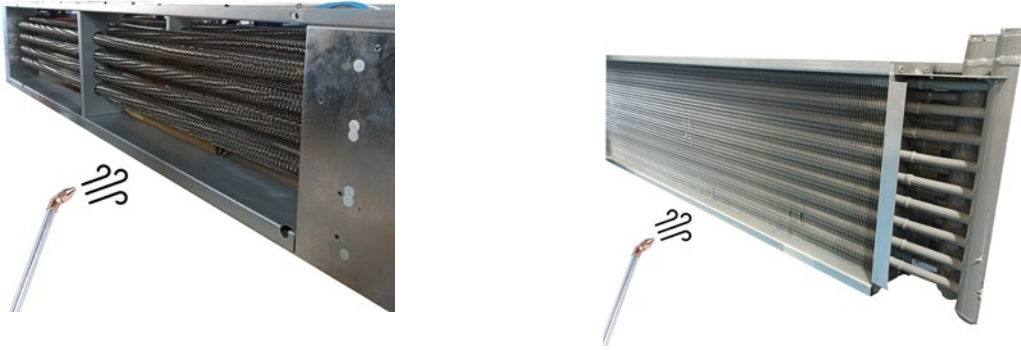


## Heating maintenance

To ensure good heat transmission in the air curtain exchanger, it is recommended to check the heating coils as follows:

### Coil cleaning

With both electric coils and water coils, the coil must be cleaned periodically with pressurized air.



### Water coils

Check the inlets and outlets of the water tubes to ensure that there are no fluid leaks.



If a water leak has been detected in the battery, possible corrosion problems in both the battery and the curtain components should be checked.

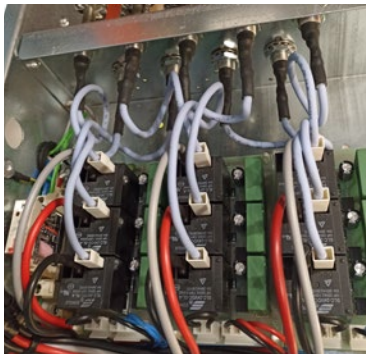


### Access to coil

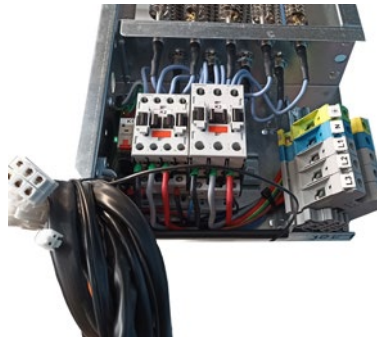
See page [\(53\)](#) for further instructions on how to open the grille.

## Electrical heating

Check that no cable has been disconnected from the battery circuit:



Resistance connection type for models M and ECM in all its lengths and Models G-ECG, SB in lengths 1000 - 1500



Resistance connection type for models G – ECG, SB in lengths 2000 - 2500 - 3000 and BB all legths

To verify the correct operation of the component, check the battery consumption per heating stage. Theoretical consumptions are shown below:

| Air curtain size | Heating stage | M - ECM models                       |                                    | G - ECG models                      |                                    |
|------------------|---------------|--------------------------------------|------------------------------------|-------------------------------------|------------------------------------|
|                  |               | Power by size and heating stage (kW) | Theoretical consumption (A) 400Vx3 | Power by size and heating stage(kW) | Theoretical consumption (A) 400Vx3 |
| 1000             | 1             | 3                                    | 4,3                                | 5                                   | 7,2                                |
|                  | 2             | 6                                    | 8,7                                | 10                                  | 14,4                               |
|                  | 3             | 9                                    | 13                                 | 15                                  | 21,7                               |
| 1500             | 1             | 4                                    | 5,8                                | 7,5                                 | 10,8                               |
|                  | 2             | 8                                    | 11,5                               | 15                                  | 21,7                               |
|                  | 3             | 12                                   | 17,3                               | 22,5                                | 32,5                               |
| 2000             | 1             | 6                                    | 8,7                                | 10                                  | 14,4                               |
|                  | 2             | 12                                   | 17,3                               | 20                                  | 28,9                               |
|                  | 3             | 18                                   | 26                                 | 30                                  | 43,3                               |
| 2500             | 1             | 6                                    | 8,7                                | 10                                  | 14,4                               |
|                  | 2             | 12                                   | 17,3                               | 20                                  | 28,9                               |
|                  | 3             | 18                                   | 26                                 | 30                                  | 43,3                               |
| 3000             | 1             | 8                                    | 11,5                               | 10                                  | 14,4                               |
|                  | 2             | 16                                   | 23,1                               | 20                                  | 28,9                               |
|                  | 3             | 24                                   | 34,6                               | 30                                  | 43,3                               |



| Air curtain size | Heating stage | SB models                            |     |                                    |      | BB models                           |     |                                    |      |
|------------------|---------------|--------------------------------------|-----|------------------------------------|------|-------------------------------------|-----|------------------------------------|------|
|                  |               | Power by size and heating stage (kW) |     | Theoretical consumption (A) 400Vx3 |      | Power by size and heating stage(kW) |     | Theoretical consumption (A) 400Vx3 |      |
|                  |               | ps1                                  | ps2 | ps1                                | ps2  | ps1                                 | ps2 | ps1                                | ps2  |
| 1000             | 1             | 5                                    | -   | 7,2                                | -    | 6                                   | -   | 8,7                                | -    |
|                  | 2             | 10                                   | -   | 14,4                               | -    | 15                                  | -   | 21,7                               | -    |
|                  | 3             | 15                                   | -   | 21,7                               | -    | 21                                  | -   | 30,3                               | -    |
| 1500             | 1             | 7,5                                  | -   | 10,8                               | -    | 8                                   | -   | 11,5                               | -    |
|                  | 2             | 15                                   | -   | 21,7                               | -    | 19                                  | -   | 27,4                               | -    |
|                  | 3             | 22,5                                 | -   | 32,5                               | -    | 27                                  | -   | 39                                 | -    |
| 2000             | 1             | 10                                   | -   | 14,4                               | -    | 12                                  | -   | 17,3                               | -    |
|                  | 2             | 20                                   | -   | 28,9                               | -    | -                                   | 30  | -                                  | 43,3 |
|                  | 3             | 30                                   | -   | 43,3                               | -    | 12                                  | 30  | 17,3                               | 43,3 |
| 2500             | 1             | 12                                   | -   | 17,3                               | -    | 16                                  | -   | 23,1                               | -    |
|                  | 2             | -                                    | 22  | -                                  | 31,7 | -                                   | 30  | -                                  | 43,3 |
|                  | 3             | 12                                   | 22  | 17,3                               | 31,7 | 16                                  | 30  | 23,1                               | 43,3 |
| 3000             | 1             | 16                                   | -   | 23                                 | -    | 20                                  | -   | 28,9                               | -    |
|                  | 2             | -                                    | 26  | -                                  | 37,6 | -                                   | 30  | -                                  | 43,3 |
|                  | 3             | 16                                   | 26  | 23                                 | 37,6 | 20                                  | 30  | 28,9                               | 43,3 |

## REPAIRS AND REPLACEMENTS

**Assembly and electrical connection must be carried out exclusively by specialized professionals and in compliance with these instructions.**

**Before carrying out any repair, it is necessary to:**



- **Notify staff and indicate that work is being done.**
- **Disconnect the current and protect the circuit breaker.**



- **Be sure there is no voltage in the unit.**



- **Be sure the fans have stopped.**
- **Use only original spare parts.**



**For manipulation safety, being it assembling, transport or maintenance duties it's a must to wear the correct individual protection equipment recommended. Those being gloves, insulating shoes, goggles and helmet.**



| CODE        | COMPONENT                                 | COMPONENT REFERENCE       | AIR CURTAIN MODEL                             |
|-------------|---|---------------------------|---|
| AIRCON12655 | AC Windbox 5 speed PCB                    | PCB-5SA-AIR-RJ11          | M - G : Air                                   |
| AIRCON12657 | EC Windbox 5 speed PCB                    | PCB-5SE-AIR-RJ11          | ECM - ECG - SB - BB:<br>Air                   |
| AIRCON12660 | AC Windbox 5 speed electrical battery PCB | PCB-5SA-ELE-RJ11          | M - G : Electrical                            |
| AIRCON12663 | AC Windbox 5 speed water 0-10V PCB        | PCB-5SA-WAT/0-10-RJ11     | M - G : Water                                 |
| AIRCON12666 | AC Windbox 5 speed water 230V PCB         | PCB-5SA-WAT-RJ11          | M - G : Water                                 |
| AIRCON12672 | EC Windbox 5 speed electrical battery PCB | PCB-5SE-ELE-RJ11          | ECM - ECG - SB - BB:<br>Electrical            |
| AIRCON12675 | EC Windbox 5 speed water 0-10V PCB        | PCB-5SE-WAT/0-10-RJ11     | ECM - ECG - SB - BB:<br>Water                 |
| AIRCON12678 | EC Windbox 5 speed water 230V PCB         | PCB-5SE-WAT-RJ11          | ECM - ECG - SB - BB:<br>Water                 |
| AIRSEC99205 | 2 poles AC centrifugal fan                | 2GDS35 133X190L P15-A3 AC | G: All models<br>M: Water<br>(P86, P64 , P54) |
| AIRSEC99215 | 4 poles AC centrifugal fan                | 4GDS35 146X188 N46-A1 AC  | M: Air and electrical                         |
| AIRSEC99210 | EC centrifugal fan                        | GDSG9 146X188R N46-A0 EC  | ECM - ECG: All models                         |
| AIRSEC50130 | EC centrifugal fan for SB                 | G9GDS 146x188L Y02-D5     | SB: All models                                |
| AIRSEC50190 | EC centrifugal fan for BB                 | GDSV8 160X198L Q39-B0-1   | BB: All models                                |
| ELACCO33005 | ADVANCED PRO Control RJ11                 | CON-LCD-RJ11              | All models                                    |

## Service door opening

---

### Rotowind and Invisair models

1. Insert a flat screwdriver between frame and grille and push grille out. The grille is closed by pressure with pivots. It has a safety cable to prevent accidental falls from the gate.

For better insight, below is a rendering of the Invisair model with the service panel removed from the shade.

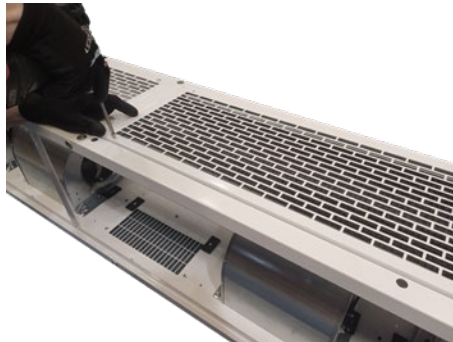


## Grille disassembly

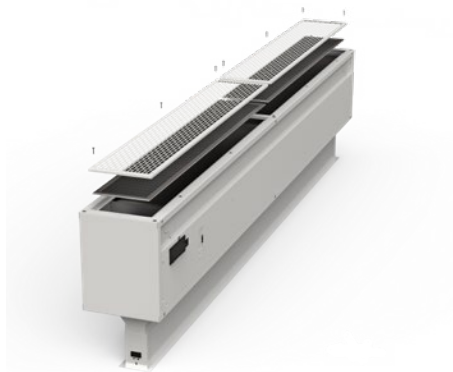
---

### Rotowind and Invisair models

1. Use a screwdriver to extract grille screws and push grille out. The grille is closed by pressure with pivots. It has a safety cable to prevent accidental falls from the gate.



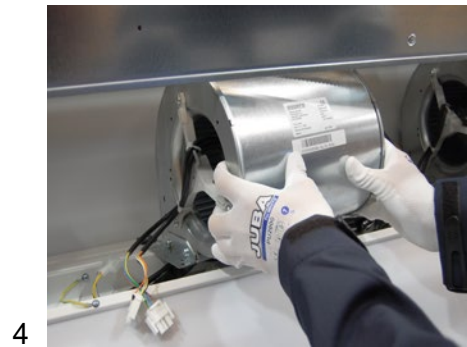
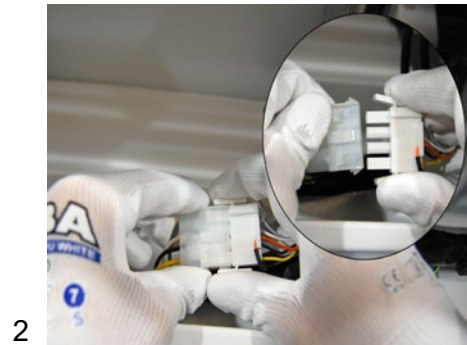
2. If there is a filter, extract carefully. Take into account it is not fixed, but fitted in between the screws that work as filter guides.



## Fan replacement

Before changing the fan, notify and indicate that it is working, disconnect the power supply, making sure that there is no voltage and that the fans have stopped.

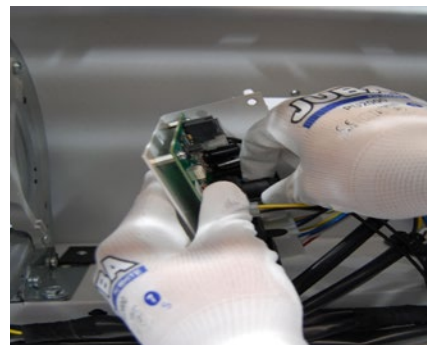
Next, identify and release the fan cables. Remove the fan by loosening the two fixing screws (one on each side) and mount the replacement fan following the process in reverse order.



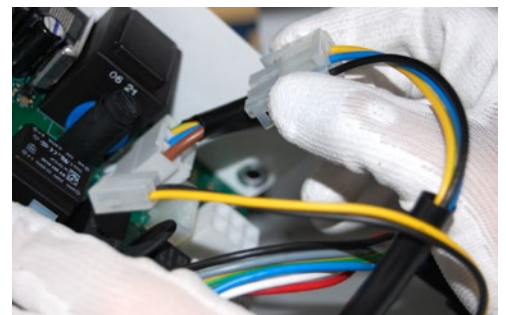
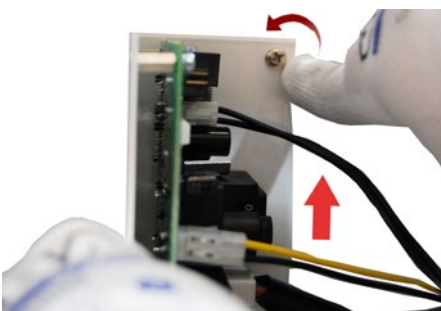
## Replacement of the power board or fuse

Before changing the power board or fuse, notify and indicate that work is being done, disconnect the power supply, make sure that there is no voltage and that the fans have stopped.

**Fuse changing:** open the service door and remove the fuse by hand or with the help of a screwdriver by pressing towards the board, turning it counterclockwise. In some cases, it is recommended to unscrew the PCB.



**Power board change:** open the service door and unscrew the power board from the inside of the air curtain to remove the plate and carry out the necessary repair.



## Recommendation: installation with silentblocks

---

To reduce the sound level and the vibrations of the air curtain, it is recommended to carry out an installation with silentblocks:



## Heater replacement

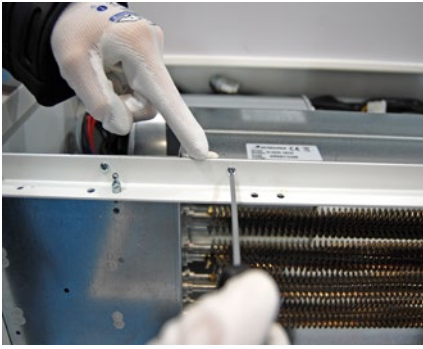
---

**Water coil:** close the building's water inlet and outlet valves up to the air curtain. Open the suction grille and drain the water coil with the drain plug of the main collector as shown in the photograph and disconnect the coil from the installation.

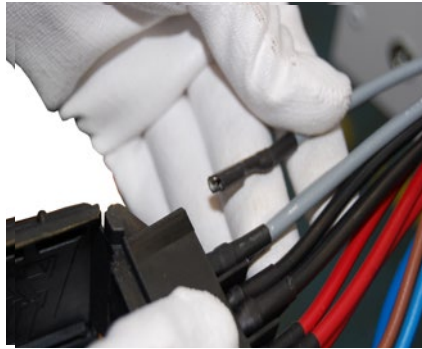
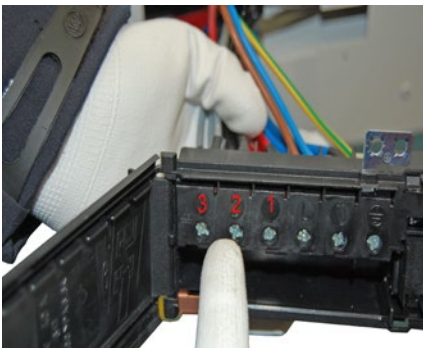
**Warning!** The curtain is not ready to work in cold mode. Do not circulate cold water through the battery. Before changing the battery, notify and indicate that you are working, disconnect the power supply, make sure that there is no voltage and that the fans have stopped. Before removing the screws that secure the water coil:



To remove the water coil, unscrew the fixing screws as shown on the next page:



**Electrical heaters:** disconnect the power supply from the battery itself.



In case of having a contactors battery, disconnect the electrical wires inside the air curtain.

| Air curtain size | N° angle fixing points |
|------------------|------------------------|
| 1000             | 1                      |
| 1500             | 2                      |
| 2000             | 3                      |
| 2500             | 4                      |
| 3000             | 4 - 5                  |

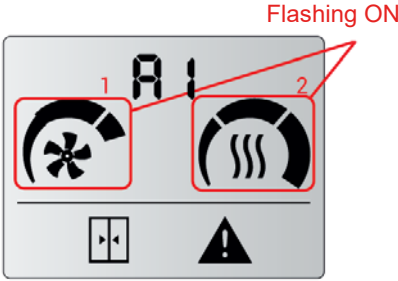
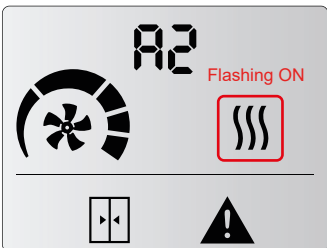
## TROUBLESHOOTING

More than 95% of the claims occur **during the start-up** of the equipment and **are due to installation errors**. Reviewing the following points solves more than 90% of the incidents:

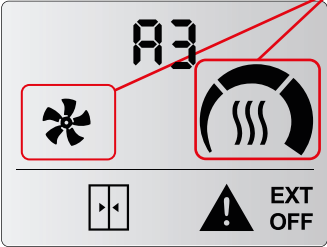
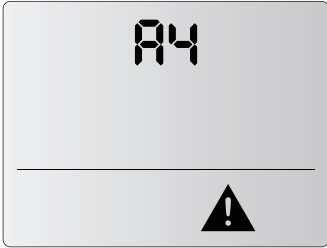
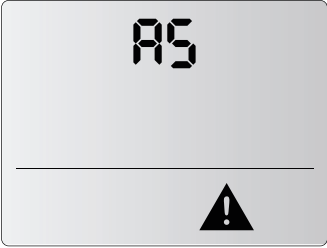
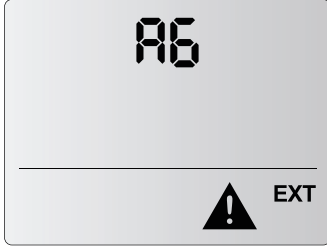
**A) RJ11 cable manipulated:** the cable connecting the control to the air curtain is an 4-way RJ11 cable. If it is manipulated (cut or remove the connector) and spliced backwards, the shade will not work properly and may also damage the electronics. Only re-splicing the connector correctly solves the problem (connection diagram).

**B) Incorrect power supply.** The supply of the air curtain depends on the type of current available and the type of heating of the equipment. Check bounding jumper if required, according to the wiring diagram.

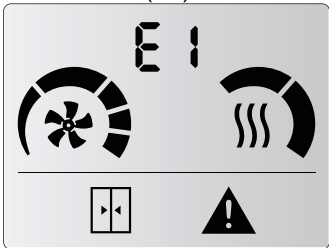
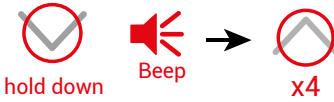
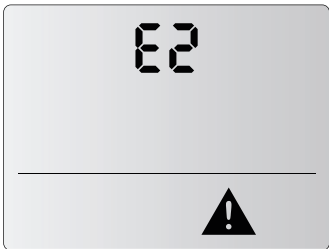
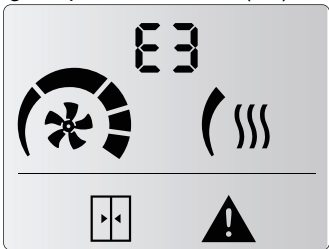
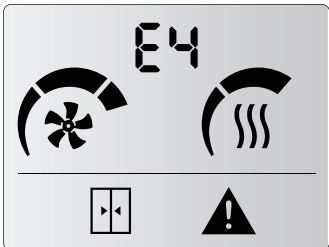
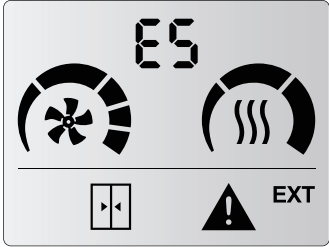
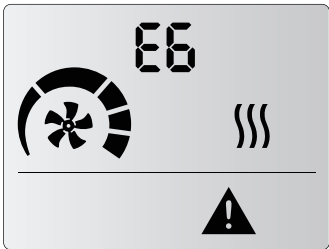
| Most commons problems and solutions |   |   |
|-------------------------------------|---|---|
| Symptom                             | Problem   | Solution  |
| No light on LCD control             | Is the RJ11 cable the original without splices or shortening? | Change the cable or reconnect it correctly.   |
|                                     | Does the current reach the connection box?                    | Correctly connect the terminals of the connection box: Between L and N there must be 230V. If the curtain has a three-phase electric battery, there must be 400V between terminals L1, L2 and L3. |
|                                     | Is the fuse on the board in good condition?                   | Check the fuse and change it if necessary (type T, slow action).  |
| The heating does not work           | Does the three-phase current reach the connection box?        | Check installation.   |

| Alarms Lists   |  |   |
|--|--|---|
| Comment  | Problem and Alert  | Solution  |
| Alarms will remain fixed on the display because it affects to the device functioning. Some lights on the remote control flash and an alert sign will appear in the display. Alarms will be shown as an "A" followed by a number to indicate the code of the alarm. | Overheating (only electrical heated) (A1)<br>    | When the unit goes into overheating, it starts a process to cool it down. The ventilation starts to rise up to the maximum each 2 minutes. If overheating persists, the heating is turned down each 2 minutes until it is switched off. If it is still not solved, after 2 minutes heating is blocked and alarm A2 is activated (check A2). |
|  | Heating blocked (only electrical heated) (A2)<br> | The heating is blocked and switched off. It is the overheating safety program. Service must check the unit and fix the problem to avoid internal damages. Once solved, reset the unit.  |

## Alarms Lists


| Comment   | Problem and Alert  | Solution  |
|---|--|---|
| <p>Alarms will remain fixed on the display because it affects to the device functioning. Some lights on the remote control flash and an alert sign will appear in the display. Alarms will be shown as an "A" followed by a number to indicate the code of the alarm.</p> | <p>Antifreezing (only water heated) (A3)<br/>Flashing ON</p>  | <p>When ambient temperature is below anti-freezing temperature set (5°C), the valve opens to protect the water coil and the fan stops functioning. It can be also activated by external anti-freezing sensor connected to the PCB or a discharge temperature sensor installed on the air curtain PCB.</p> |
|   | <p>Communications error (A4)</p>                              | <p>No unit found. When this error appears, the user can do a scan to find the PCBs pressing the ON/OFF button during 10 seconds.</p>  |
|   | <p>Inappropriate device (A5)</p>                            | <p>Wrong combination of 2 different heatings (electric with water or heat pump) It is only possible to mix unheated units with one type of heating units.</p>   |
|   | <p>Fire Alarm (A6)</p>                                      | <p>Stops and locks the unit. To unlock it, the power supply must be switched off. It is activated with DIN3 digital IN on the control unit.</p>   |

## Error Lists

| Comment  | Problem   | Solution   |
|--|---|--|
| <p>Errors will not remain on the display, they will alternate with the ambient temperature. Unit operation remains working normal or adapted. Some lights on the remote control flash and an alert sign will appear in the display. Errors will be shown as an "E" followed by a number to indicate the code of the error.</p> | <p>Filter/maintenance (E1)</p>           | <p>Indicates filter change or cleaning / maintenance. This alarm is activated by time counter. It does not affect operation. To reset the counter:</p>  <p style="text-align: center;">hold down      Beep      x4</p>      |
|  | <p>Missing device (E2)</p>               | <p>One of the working units is not found. Please consult service to check the unit. To reset, turn OFF the power or scan the other PCBs by pressing the ON/OFF button during 10 seconds. Other devices remain working normally. Check the connections between units to see that none is wrongly connected.</p> |
|  | <p>Missing temperature sensor (E3)</p>  | <p>Missing temperature sensor or temperature out of range. Unit operation adapts and remains working according to inbuilt room temperature sensor.</p>   |
|  | <p>Fan Error (E4)</p>                  | <p>Some fan has stopped. Check the unit. Unit operation remains normal. Not available in 2-speed range.</p>  |
|  | <p>External Alarm (E5)</p>             | <p>Indicates an external alarm. Unit operation remains normal. Only programmable with CLEVER PRO control (consult CLEVER PRO Manual).</p>  |
|  | <p>E6 - Additional PCB Error</p>       | <p>Additional PCB inside the same air curtain has an error or is disconnected. In case of electrical heater, heating stops.</p>  |

## DECLARATION OF CONFORMITY



Declaration  of conformity / Declaración  de conformidad

Manufacturer **Motors i Ventiladors S.L. (AIRTÈCNICS)**  
Fabricante **Conca de Barberà 6, Pol. Ind. Pla de la Bruguera**  
**08211 Castellar del Vallès (Barcelona) Spain**

We declare, under our sole responsibility, that the product  
*Declaramos, bajo nuestra única responsabilidad, que el producto*

**Air Curtains**  
**Cortinas de aire**

with models / *con los modelos*

**Minibel, Optima, Recessed Optima, Optima Wireless, Recessed Optima Wireless, Optima K, Optima Switch, Recessed Optima Switch, School Plus Optima, Top, Recessed Compact, Aris, Windbox, Recessed Windbox, Smart, Dam, Recessed Dam, Deco, Kool, Rund, Invisair, Rotowind, Variwind, Zen, Max, Maxwell, Compact Fly, Fly K, Fly KL-KXL, Fly KBB, Windbox BB, Recessed Windbox BB, Zen BB, Invisair BB, Kool BB, Rotowind BB, Zen L-XL, Windbox L-XL, Duojet, Triojet System**

is/are developed, designed and manufactured in accordance with the following directive(s)  
*ha(n) sido desarrollado(s), diseñado(s) y fabricado(s) de acuerdo con la(s) siguiente(s) directiva(s)*

**Low Voltage Directive 2014/35/EU**  
**Directiva Baja Tensión 2014/35/UE**

**Electromagnetic Compatibility Directive 2014/30/EU**  
**Directiva Compatibilidad Electromagnética 2014/30/UE**

**Restriction Certain Hazardous Substances Directive 2011/65/EU (RoHS)**  
**Directiva Restricción Substancias Peligrosas 2011/65/UE**

**Eco-design Energy-related Products Directive 2009/125/EC**  
**Directiva Diseño Ecológico Productos Con Energía 2009/125/CE**

applying the following harmonized standards in particular  
*aplicando las siguientes normas armonizadas en particular*

**LVD:** EN 60335-1:2012 + AC:2014 + A11:2014 + A13:2017 + A1:2019 + A14:2019 + A2:2019  
EN 60335-2-30:2009 + A11:2012 + A1:2020 + A12:2020

**EMC:** EN 61000-3-11:2020  
EN 61000-3-12:2011  
EN 55014-1:2017 + A11:2020  
EN 55014-2:2015  
EN 62233:2008 + AC:2008

**RoHS:** EN 50581:2012

Date / Fecha  
Name / Nombre  
Position / Cargo

24/01/2025  
**Jordi Hierro**  
Technical Manager / *Director Técnico*

**MOTORS I VENTILADORS, S.L.**  
ESB58967183 - C/ Conca de Barberà, 6  
08211 Castellar del Vallès  
Tel. 937159988 - Fax 937159989

**UK  
CA**

## **UK Declaration of conformity**

Manufacturer **Motors i Ventiladors S.L. (AIRTÈCNICS)**  
**Conca de Barberà 6, Pol. Ind. Pla de la Bruguera**  
**08211 Castellar del Vallès (Barcelona) Spain**

We declare, under our sole responsibility, that the product

**Air Curtains**

with models

**Minibel, Optima, Optima Swicth, Recessed Optima, Optima Wireless, Recessed Optima Wireless, Optima K, Top, Recessed Compact, Aris, Windbox, Recessed Windbox, Smart, Dam, Recessed Dam, Deco, Kool, Rund, Invisair, Rotowind, Variwind, Zen, Max, Maxwell, Compact Fly, Fly K, Fly KL-KXL, Fly KBB, Windbox BB, Recessed Windbox BB, Zen BB, Windbox L-XL, Duojet, Triojet System.**

is/are developed, designed and manufactured in accordance with the following regulation(s)

**Electrical Equipment (Safety) Regulations 2016 No. 1101**

**Electromagnetic Compatibility Regulations 2016 No. 1091**

**The Restriction of the Use of Certain Hazardous Substances in Electrical and Electronic Equipment Regulations 2012 No. 3032**

**The Ecodesign for Energy-Related Products and Energy Information (Amendment) (EU Exit) Regulations 2019 No. 539**

applying the following harmonized standards in particular

**LVD: BS EN 60335-1:2012+A2:2019**  
**BS EN 60335-2-30:2009+A12:2020**

**EMC: BS EN IEC 61000-3-11:2019**  
**BS EN 61000-3-12:2011**  
**BS EN IEC 55014-1:2021**  
**BS EN IEC 55014-2:2021**

**RoHS: BS EN IEC 63000:2018**

Date  
Name  
Position

**16/10/2023**  
**Jordi Hierro**  
**Technical Manager**



**MOTORS I VENTILADORS, S.L.**  
ESB58967183 - C/ Conca de Barberà, 6  
08211 Castellar del Vallès  
Tel. 937159988 - Fax 937159989

## IDENTIFICATOR



|                                      |                      |                       |                           |
|--------------------------------------|----------------------|-----------------------|---------------------------|
| Model<br>Modelo                      | WINDBOX M 2000 P86   |                       |                           |
| Airflow<br>Caudal                    | 3320                 | m3/h                  |                           |
| Blowers<br>Ventiladores              | 3,8 A                | 0,856 kW              | 230 V/50Hz                |
| <b>Heating</b>                       |                      |                       |                           |
| Temperature<br>Temperatura           |                      | Capacity<br>Capacidad | Water Flow<br>Caudal Agua |
| Water Coil<br>Bateria Agua           | 80/60 °C             | 20,65 kW              | 900 l/h                   |
| Electric Heater<br>Bateria Eléctrica | kW                   |                       |                           |
| Serial Number<br>Número de Serie     | 2022 01 21 / 113.864 |                       |                           |

Each air curtain is identified by a unique serial number printed in a label located inside the door service. There is also indicated the model and their technical characteristics (flow, fans technical characteristics and power heating).

It is indispensable to have this number to facilitate possible replacements or technical information of the air curtain in question.



AIRCOR15698 113864

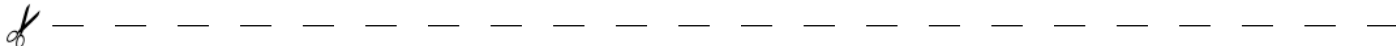
WINDBOX M 2000 P86      www.airtecnics.com

## GUARANTEE

Your air curtain is guaranteed for a period of two years from the date of purchase. We will adjust, repair or replace at our discretion from our warehouse any defect, system failure or part found to be defective. The assembly cost out of our warehouse is at buyer expense. The products that, in our eyes, have been inadequately used, incorrectly manipulated, improperly installed, connected to different nominal tensions, modified, repaired by non-authorized workers or that have suffered damages during transport are totally excluded from the guarantee.

*To validate the guarantee it should be correctly filled and enclosed with the invoice that vouches for the buying date. If it is manipulated, it will lose all validity.*

*It is the buyer's responsibility to take the necessary safety measures because in case of a failure or mistake in one of our products, no damages to third parties, sets or installations will occur.*



### Guarantee draft

**Air curtains data:**

Model: .....

Series number: .....

Invoice date: .....

Invoice number: .....

**Buyer data:**

Name: .....

Address: .....

Country: .....

Phone: .....

Mail: .....

**Seller data:**

Name: .....

Address: .....

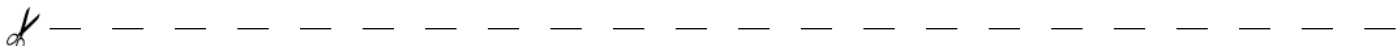
Country: .....

Phone: .....

Mail: .....

**Buyer signature and stamp**

**Seller signature and stamp**

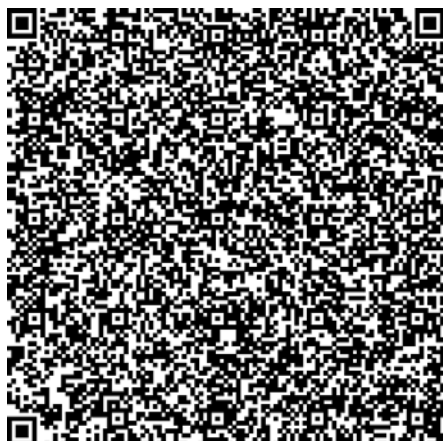


*If you detect some error in this manual, we'll be pleased to receive your feedback, it helps us to improve even more. Airtècnics reserves the right to modify some of the specifications in this manual*



Conca de Barberà, 6 - Pol. Ind. Pla de la Bruguera  
E-08211 Castellar del Vallès (Barcelona) Spain  
☎ + 34 93 715 99 88  
airtecnicos@airtecnicos.com

**[www.airtecnicos.com](http://www.airtecnicos.com)**



AIRDOM05750-R2(06/25)

*Airtècnics reserves the right to modify some of the specifications in this manual.*